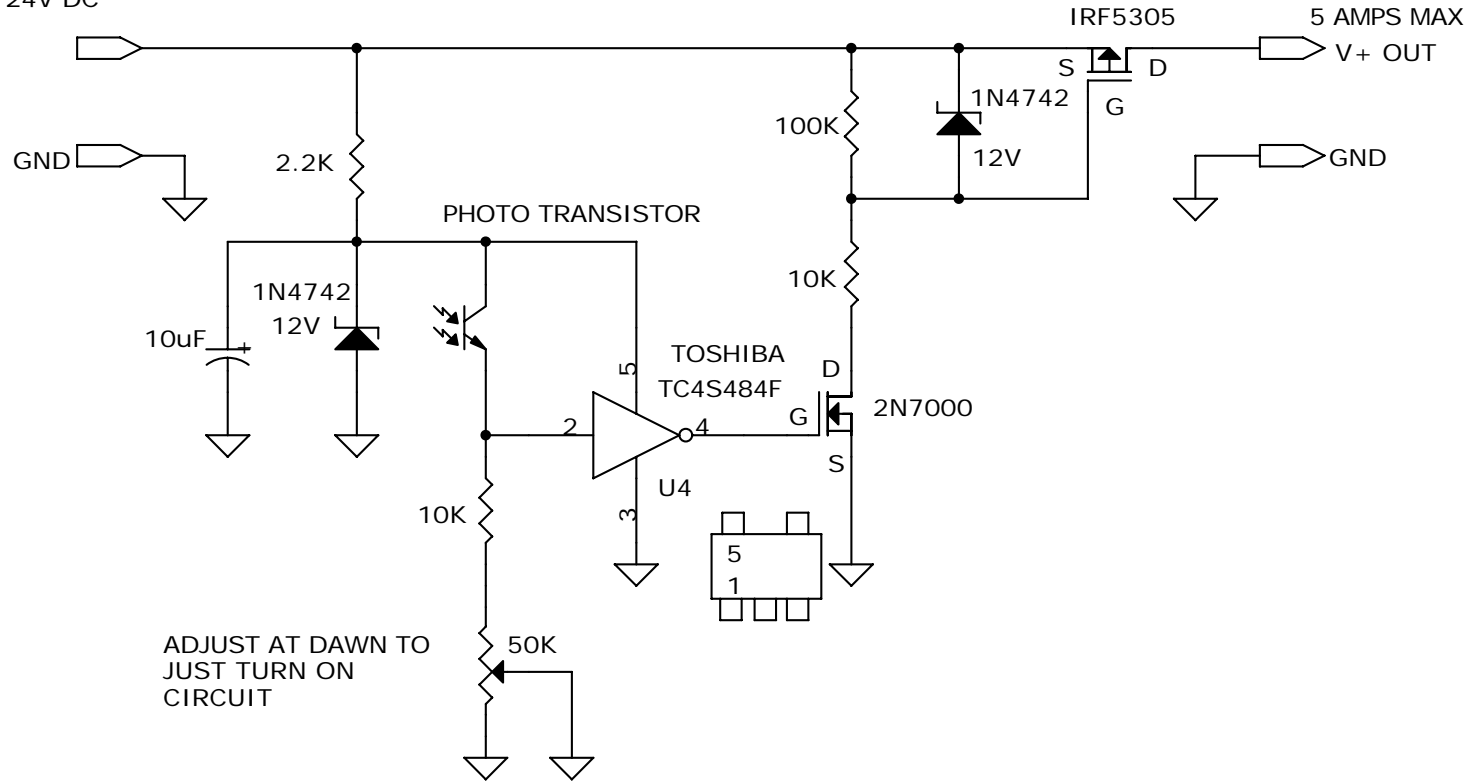


DC+ IN 6V - 24V DC



CIRCUIT TURNS ON DC SUPPLY AT NIGHT

DESIGNED BY DAVE JOHNSON
DISCOVERCIRCUITS.COM
ALL RIGHTS RESERVED

DRAWN BY: DAVE JOHNSON

DAVID JOHNSON AND ASSOCIATES		
Title 6V TO 24V DC DAY/NIGHT SWITCH		
Size A	Document Number 12VNIGHTSW1.DSN	Rev A
Date: Sunday, July 09, 2006	Sheet 1	of 1