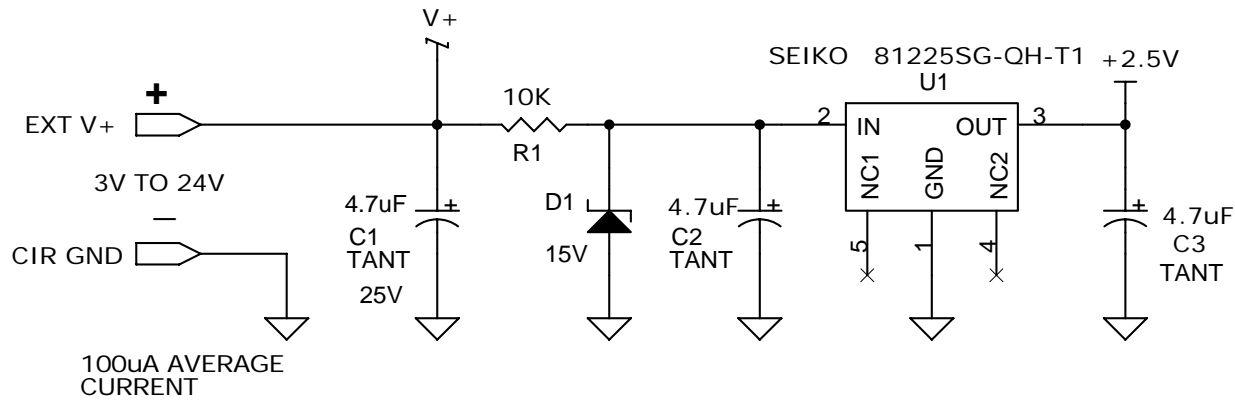
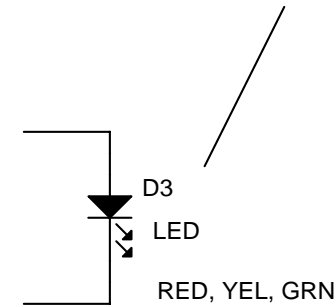
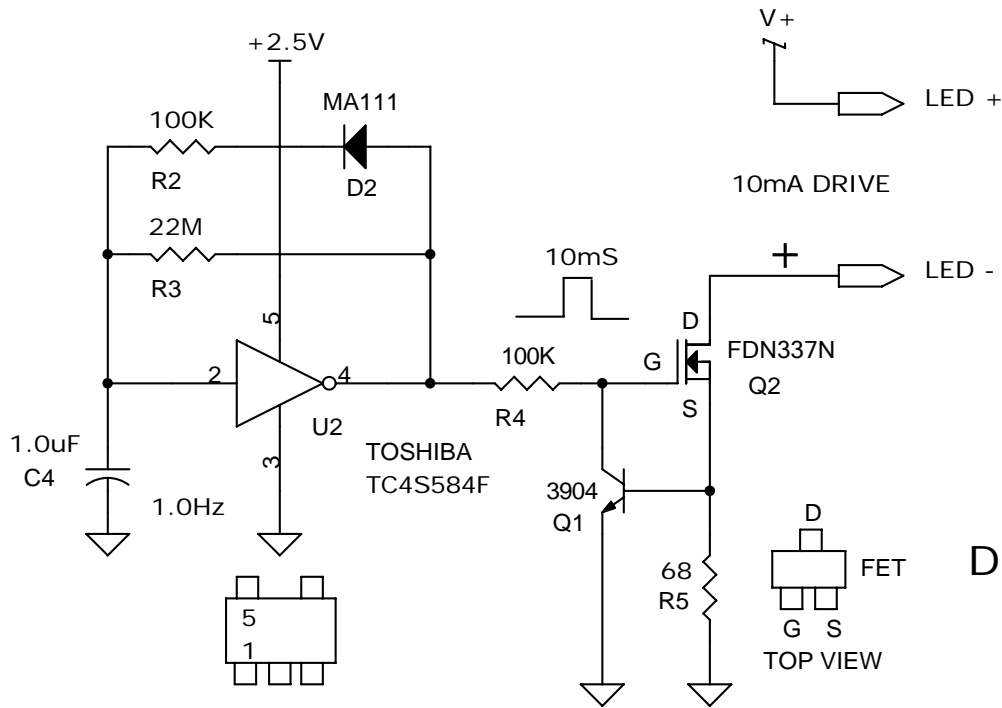


VOLT REG CURRENT DRAIN = 1uA



100uA AVERAGE CURRENT

WHITE LED REQUIRES 4.5V SUPPLY



100uA AVERAGE CURRENT
1.5 YEARS FLASHING WITH AA CELLS

DESIGNED BY DAVE JOHNSON
DISCOVERCIRCUITS.COM
ALL RIGHTS RESERVED

DRAWN BY: DAVE JOHNSON

UNIVERSAL LED FLASHER

DAVID JOHNSON AND ASSOCIATES		
Title UNIVERSAL LED FLASHER		
Size A	Document Number 3VLEDFLASH3.DSN	Rev A
Date:	Tuesday, July 11, 2006	Sheet 1 of 1