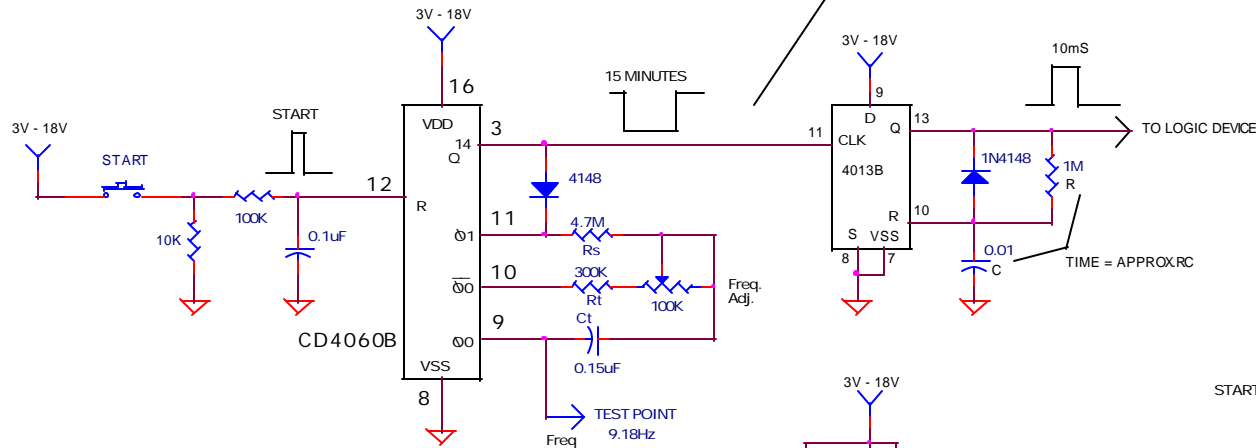


NOTE! THE CIRCUIT MUST BE CONNECTED TO THE POWER SUPPLY FOR AT LEAST 15 MINUTES BEFORE NORMAL TIMING FUNCTIONS WILL FUNCTION



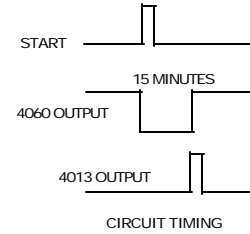
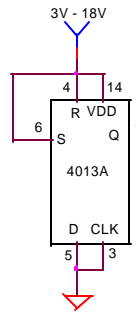
AVERAGE CURRENT DRAIN = 30uA DURING TIMING

$$\text{Freq.} = \frac{1}{2.2RtCt}$$

$$R_s = 10R_t$$

$$T_{OUT} = 2.2R_tC_t \times (N-1)$$

$$N = \text{COUNTER STAGE}$$



DELAYED ONE SHOT PULSE GENERATOR

OUT PULSE IS GENERATED AFTER THE TIME DELAY

DRAWN BY DAVE JOHNSON

DAVE JOHNS AND ASSOCIATES		
Title	DELAYED ONE SHOT PULSE GENERATOR	
Size	Document Number	Rev
B	DELAYEDONESHOT1.DSN	A
Date:	Saturday, December 18, 2004	Sheet 1 of 1