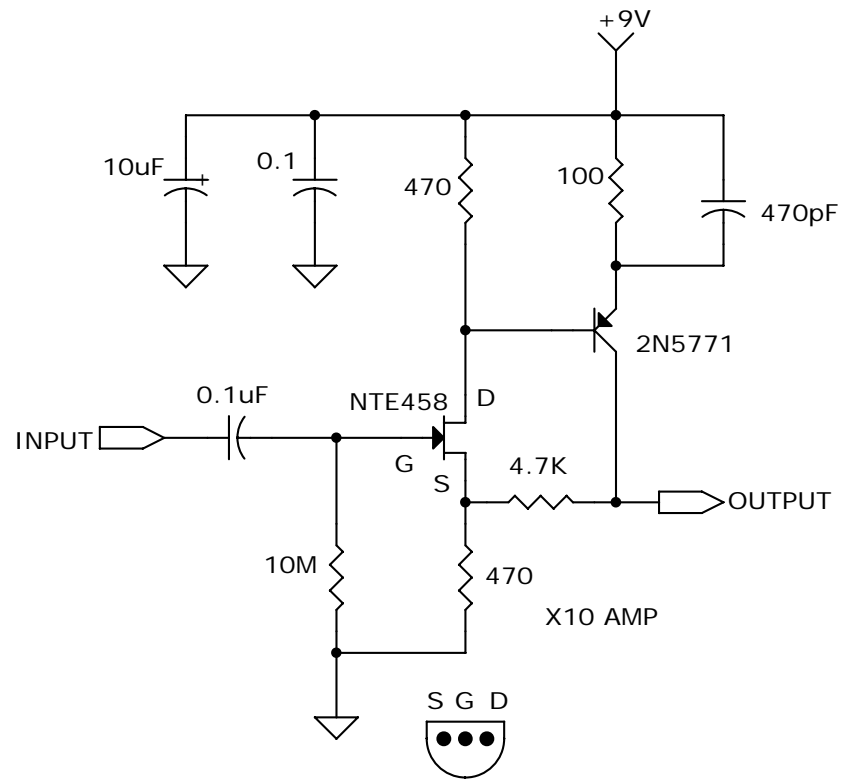


TOP VIEW

GOOD TO ABOUT 50MHz



TOP VIEW

DESIGNED BY DAVE JOHNSON  
 DISCOVERCIRCUITS.COM  
 ALL RIGHTS RESERVED

DRAWN BY: DAVE JOHNSON

# HIGH INPUT IMPEDANCE FET BUFFER AND AMP

DAVID JOHNSON AND ASSOCIATES FET VOLTAGE FOLLOWER AND AMP		
Size A	Document Number FETBUFFER1.DSN	Rev A
Date:	Tuesday, July 11, 2006	Sheet 1 of 1