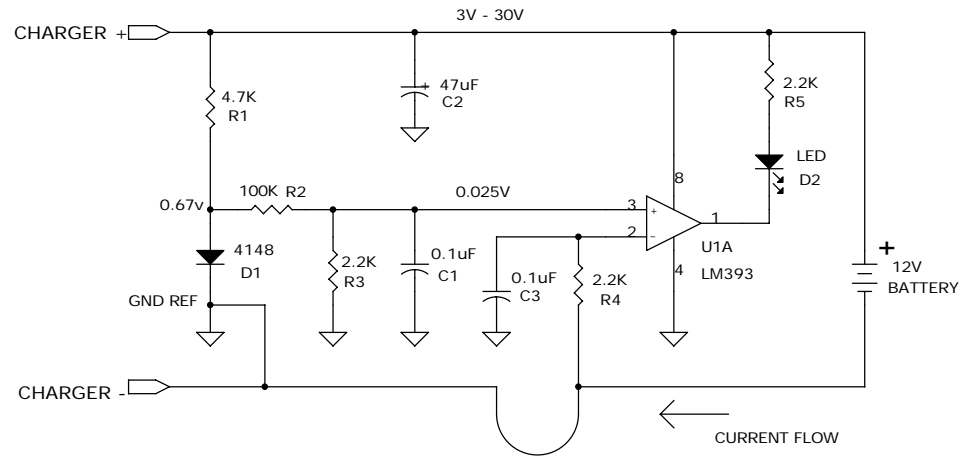


SHUNT RESISTOR WIRE  
 PICK RESISTANCE SO 0.015V IS PRODUCED AT DESIRED CURRENT  
**BATTERY CURRENT INDICATOR**



SHUNT RESISTOR WIRE  
 PICK RESISTANCE SO 0.015V IS PRODUCED AT DESIRED CURRENT  
**BATTERY CHARGING CURRENT INDICATOR**

DESIGNED BY DAVE JOHNSON  
 DISCOVERCIRCUITS.COM  
 ALL RIGHTS RESERVED  
 DRAWN BY: DAVE JOHNSON

DAVID JOHNSON AND ASSOCIATES		
Title		
BATTERY CURRENT INDICATOR		
Size	Document Number	Rev
B	DCCURRENTIND4.DSN	A
Date:	Monday, December 15, 2008	Sheet 1 of 1