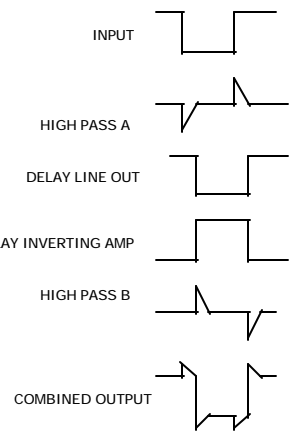
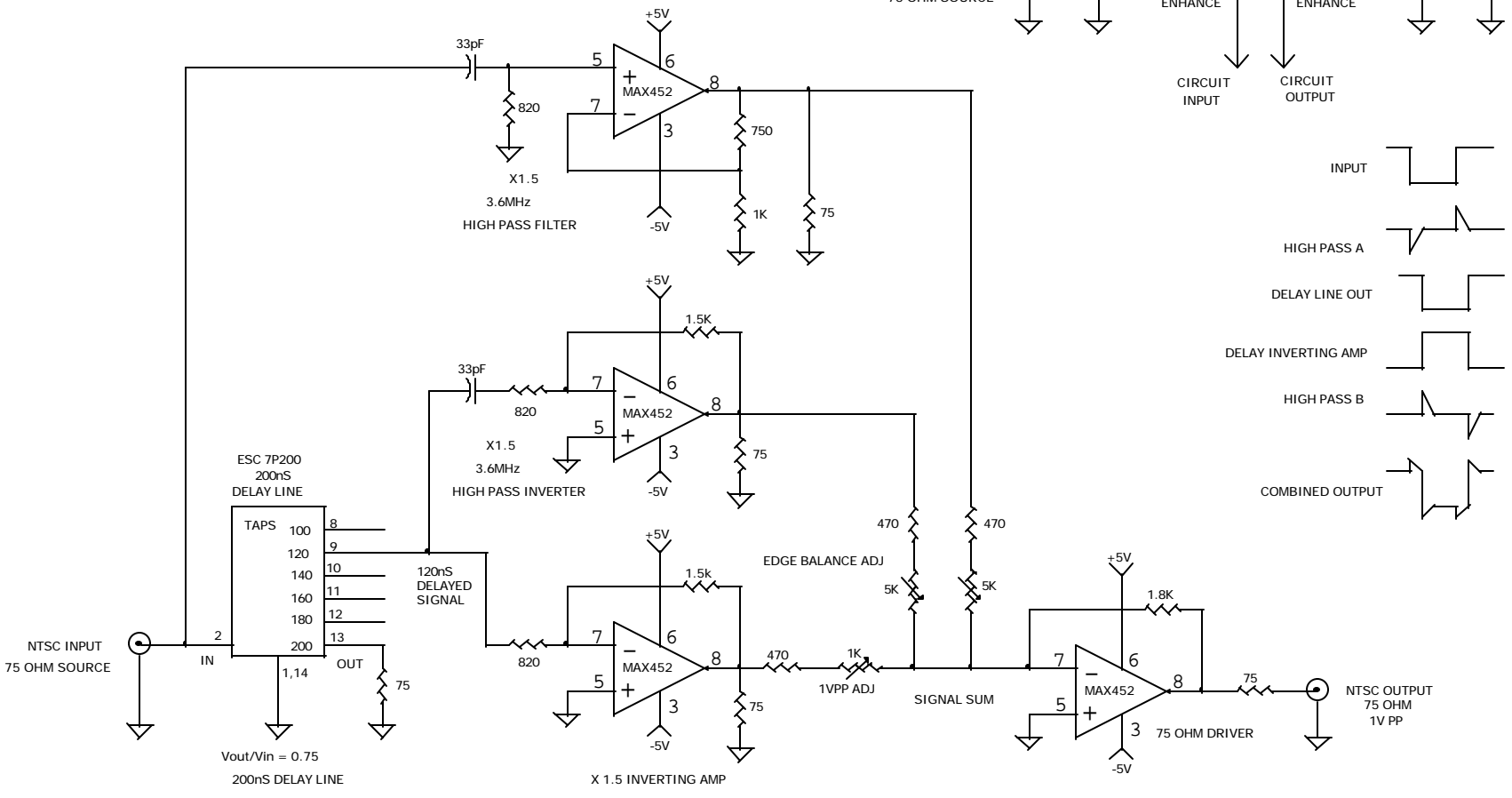
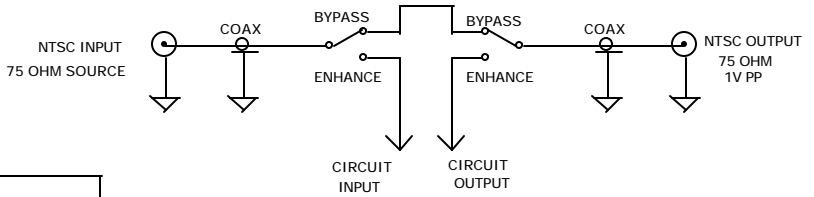


TV DISPLAY COMPARISON SWITCH
A/B SWITCH



NTSC VIDEO SIGNAL EDGE ENHANCEMENT CIRCUIT

DRAWN BY: DAVE JOHNSON

DAVID JOHNSON AND ASSOCIATES		
NTSC VIDEO SIGNAL EDGE ENHANCEMENT CIRCUIT		
Size B	Document Number VIDEDGE1.DSN	Rev A
Date: Saturday, July 08, 2000	Sheet 0	of 0