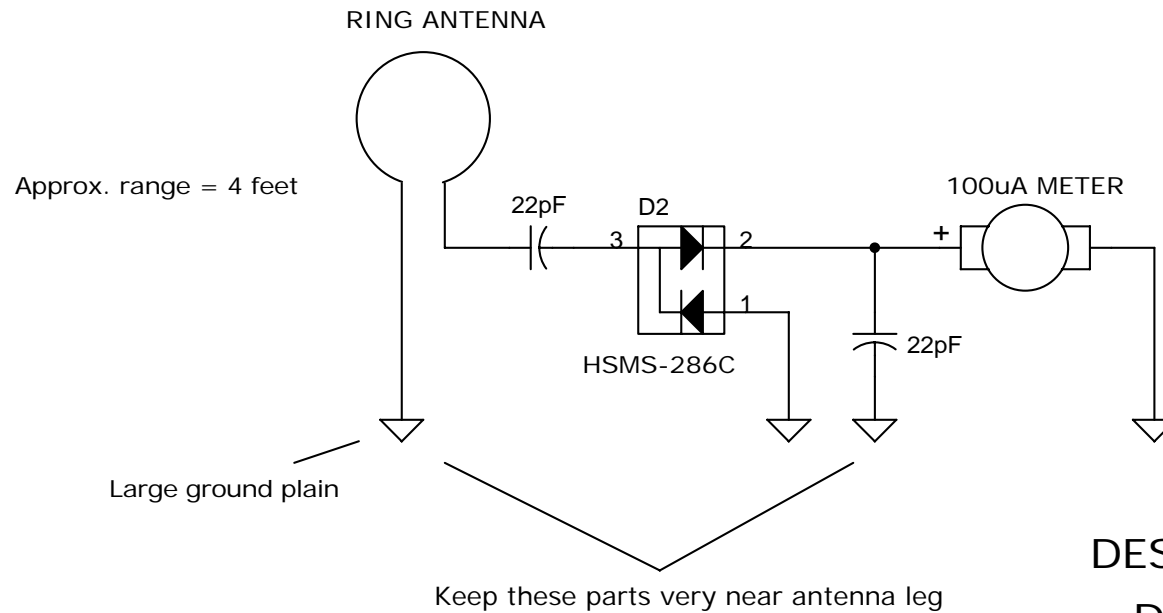
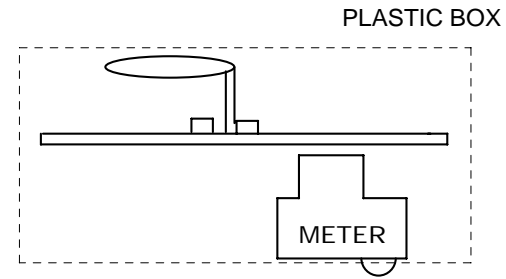


DIAMETER = 20mm = 0.787 INCHES
 HEIGHT = 7mm = 0.276 INCHES
 WIRE = 18GA SOLID TINNED COPPER
 LEG SEPARATION = 2.5mm = 0.10 INCHES
 ANTENNA MUST NOT BE ENCAPSULATED



DESIGNED BY DAVE JOHNSON
 DISCOVERCIRCUITS.COM
 ALL RIGHTS RESERVED

DRAWN BY: DAVE JOHNSON

2.45GHz RF DETECTOR

DAVID JOHNSON AND ASSOCIATES		
Title 2.45GHz RF DETECTOR CIRCUIT		
Size A	Document Number 2GHZDET3.DSN	Rev A
Date: Sunday, July 09, 2006	Sheet 1	of 1