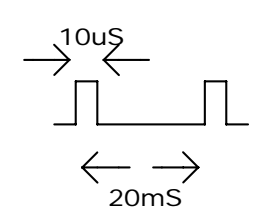
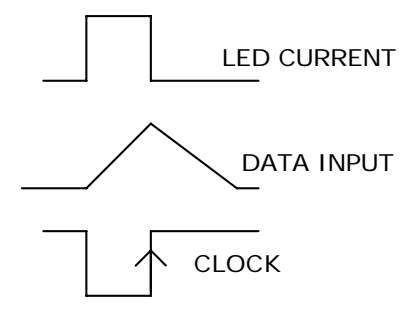


AVERAGE CURRENT = 10uA  
 10uS SAMPLE TIME  
 25 SAMPLES PER SECOND  
 APPROX. 3 YEARS OPERATION



LED PULSE WIDTH = 10uS  
 LED PEAK CURRENT = 10mA  
 LED PULSE RATE = 25 PPS  
 AVERAGE LED CURRENT A 50Hz = 5uA

DESIGNED BY DAVE JOHNSON  
 DISCOVERCIRCUITS.COM  
 ALL RIGHTS RESERVED

DRAWN BY: DAVE JOHNSON

DAVID JOHNSON AND ASSOCIATES FINGER SWITCH		
Size A	Document Number IRFINGERSW1.DSN	Rev A
Date: Tuesday, July 11, 2006	Sheet 1 of 1	