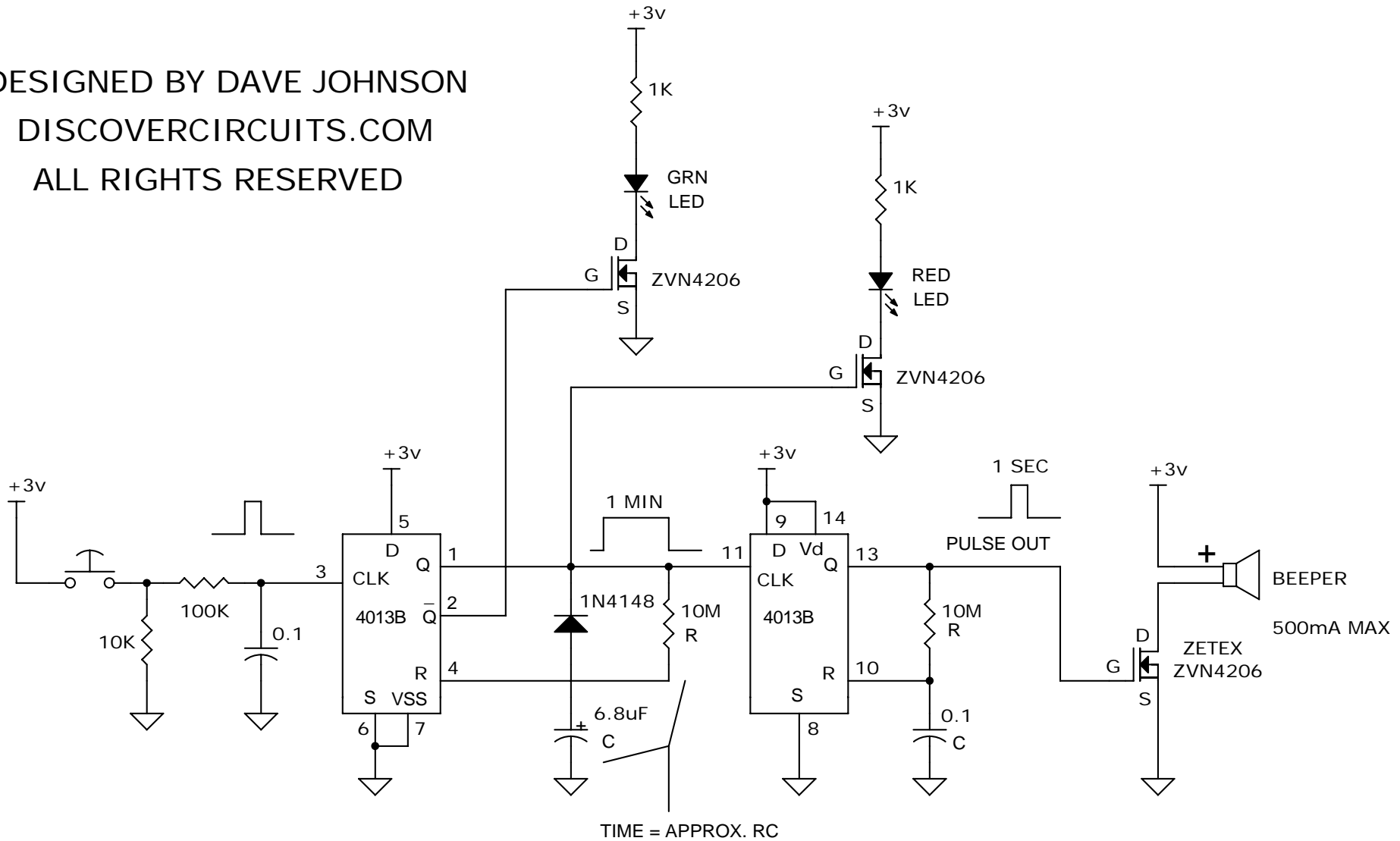


DESIGNED BY DAVE JOHNSON
 DISCOVERCIRCUITS.COM
 ALL RIGHTS RESERVED



Pushbutton triggers short 1 second beep. Beep can't be activated again until after 1 minute timer ends.

DRAWN BY: DAVE JOHNSON

SERVICE REQUEST BEEPER

DAVID JOHNSON AND ASSOCIATES		
SERVICE REQUEST BEEPER		
Size A	Document Number SERVICEBEEPER2.DSN	Rev A
Date: Sunday, July 09, 2006	Sheet 0	of 0