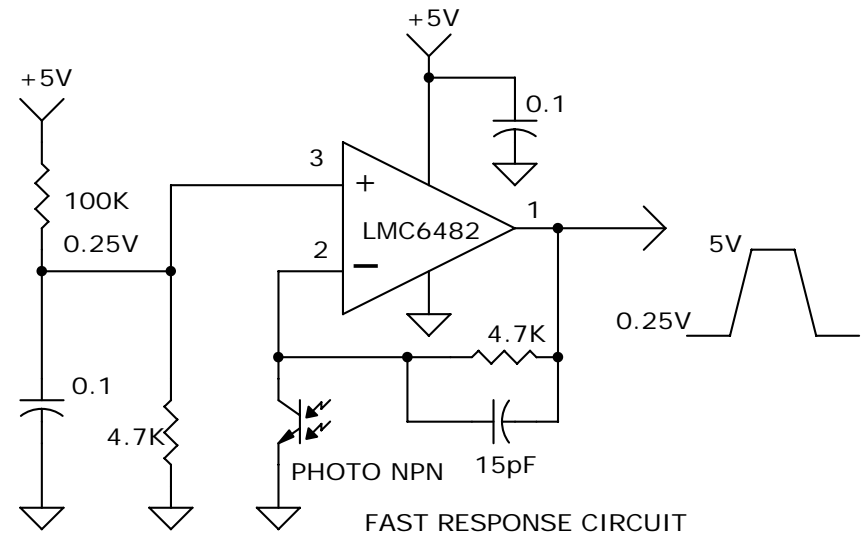
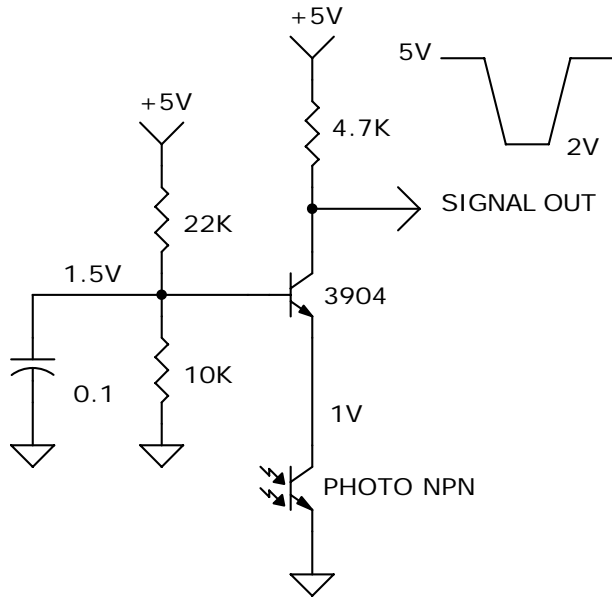


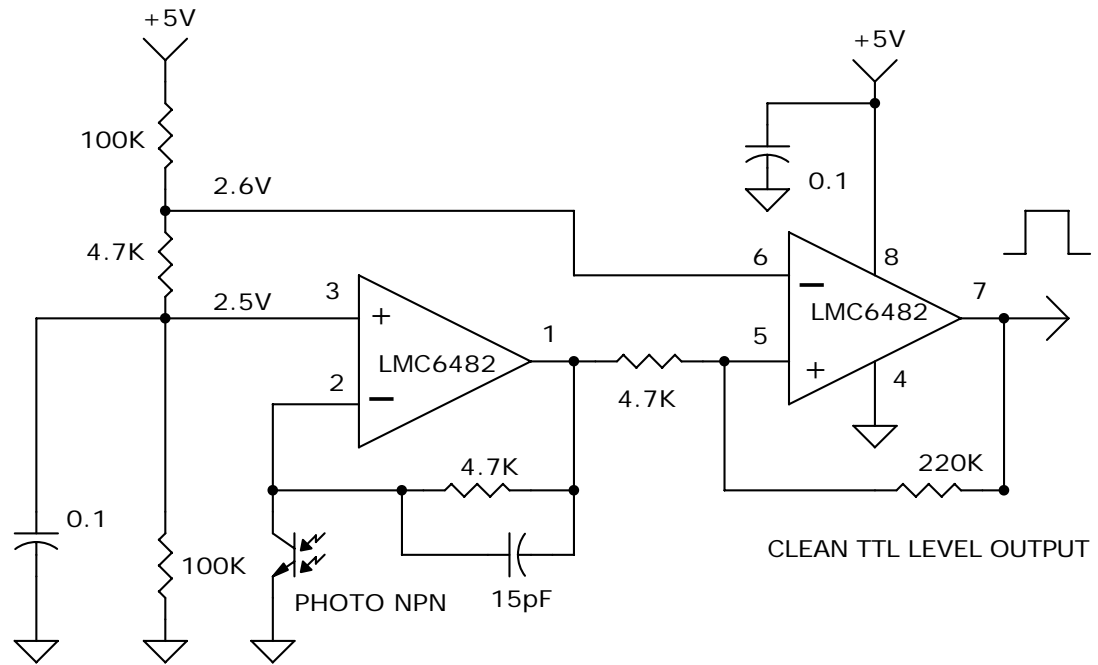
CONVENTIONAL CIRCUIT
SLOW RESPONSE



FAST RESPONSE CIRCUIT



CASECODE CIRCUIT
IMPROVED SPEED



CLEAN TTL LEVEL OUTPUT

DRAWN BY: DAVID JOHNSON

DESIGNED BY DAVE JOHNSON
DISCOVERCIRCUITS.COM
ALL RIGHTS RESERVED

DAVID JOHNSON AND ASSOCIATES		
Title HIGH SPEED PHOTO TRANSISTOR CIRCUITS		
Size A	Document Number FASTPHOTONPN.DSN	Rev A
Date:	Tuesday, July 11, 2006	Sheet 1 of 1