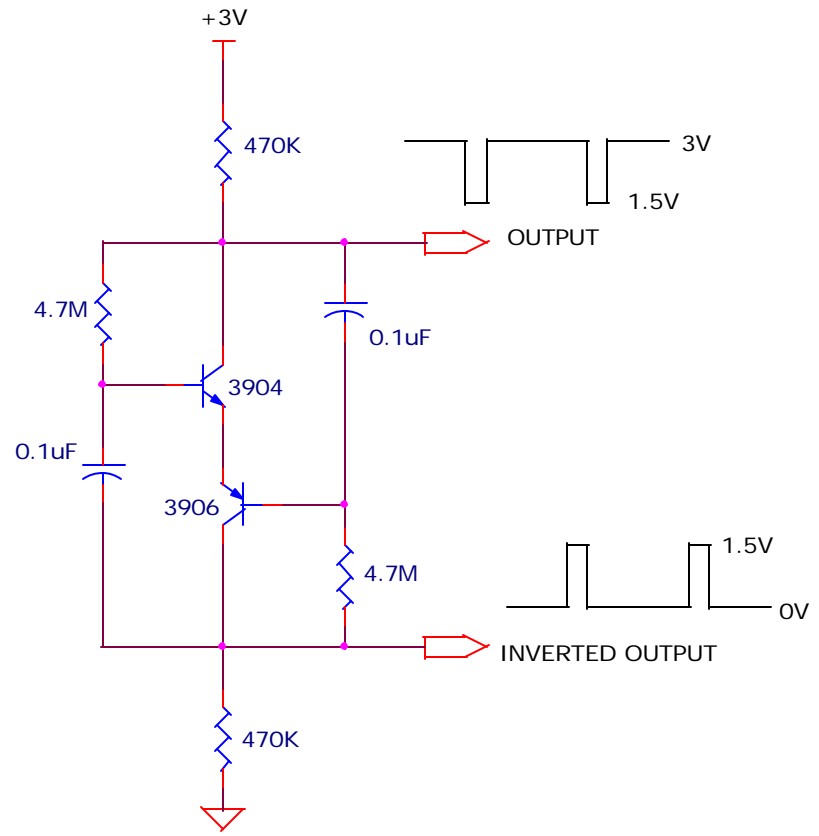


PNP ACTS AS A UNIJUNCTION TRANSISTOR

FREQUENCY = 0.5Hz

CURRENT DRAIN = 1.2uA



FREQUENCY = 2Hz

CURRENT DRAIN = 1uA

DRAWN BY: DAVE JOHNSON

# LOW POWER OSCILLATORS

DAVID JOHNSON AND ASSOCIATES		
Title LOW POWER OSCILLATOR		
Size A	Document Number OSC4.DSN	Rev A
Date: Saturday, December 18, 2004	Sheet 1	of 1