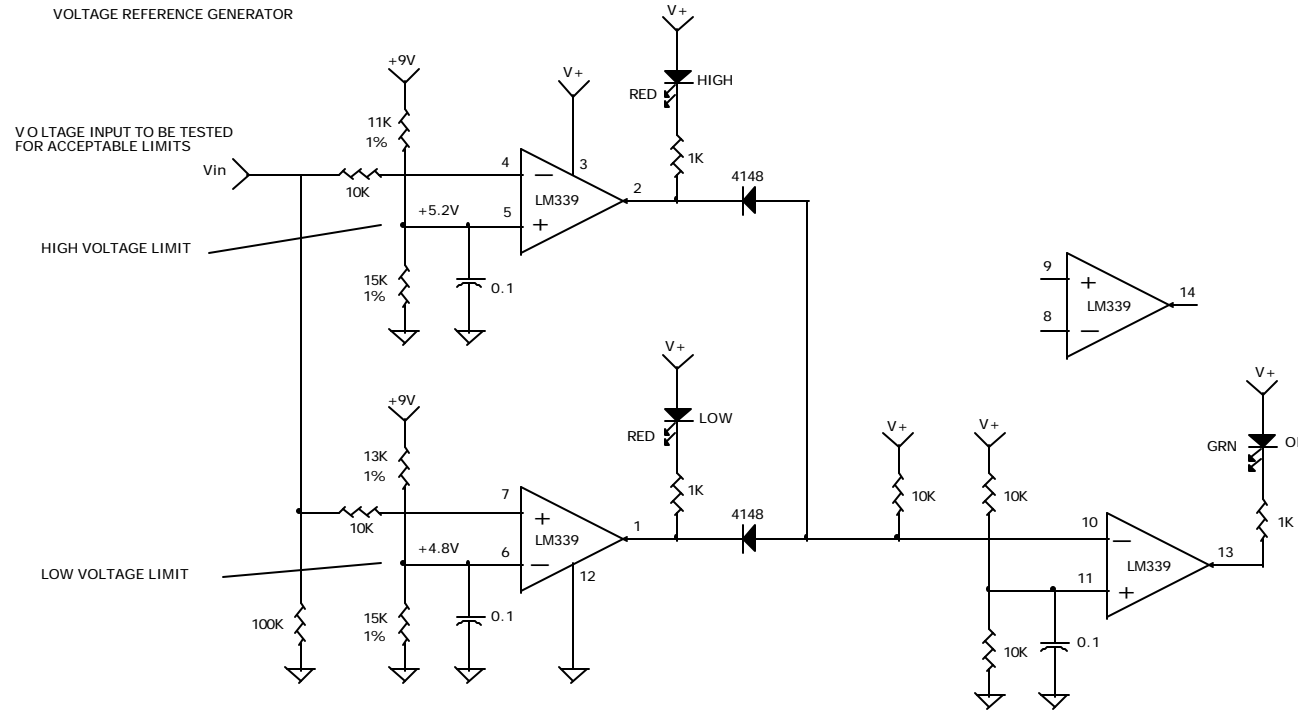


OK LED TURNS ON WHEN INPUT VOLTAGE IS WITHIN THE ACCEPTABLE LIMITS
HIGH OR LOW LEDs TURN ON WHEN VOLTAGE IS LOWER OR HIGHER THAN ACCEPTABLE



IN ABOVE EXAMPLE ACCEPTABLE VOLTAGE LIMITS ARE 4.8V TO 5.2V

DRAWN BY: DAVE JOHNSON

ACCEPTABLE VOLTAGE INDICATOR

DAVID JOHNSON AND ASSOCIATES		
Title	GO NO-GO ACCEPTABLE VOLTAGE INDICATOR	
Size	Document Number	Rev
B	VOLTST1.DSN	A
Date:	Saturday, February 09, 2002	Sheet 1 of 1