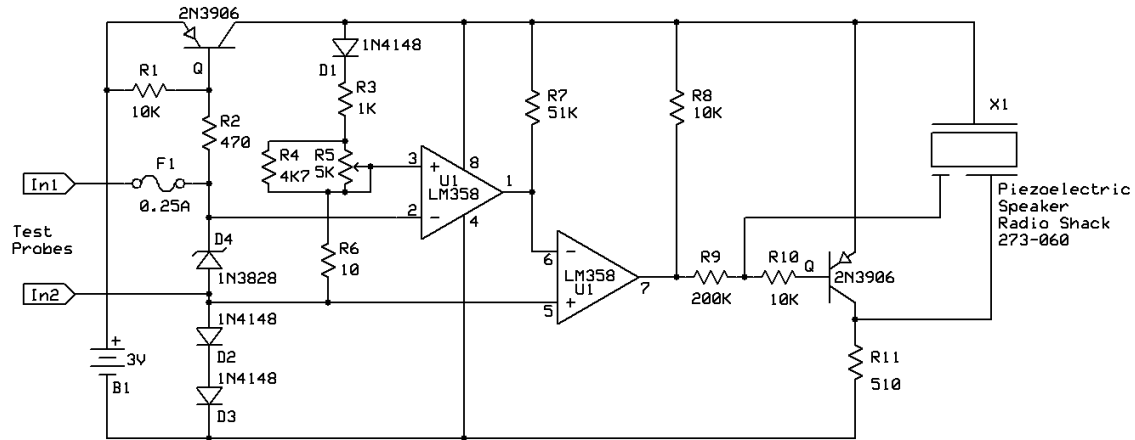


Category: Test equipment

## Continuity Tester

This circuit senses only dead shorts on a populated board. It will not ring through or damage components. It shuts off when not in use. It was first published in **Electronics** magazine, June 21, 1979, page 145.



Continuity Tester

Andrew Morris [morr3763@bellsouth.net](mailto:morr3763@bellsouth.net)