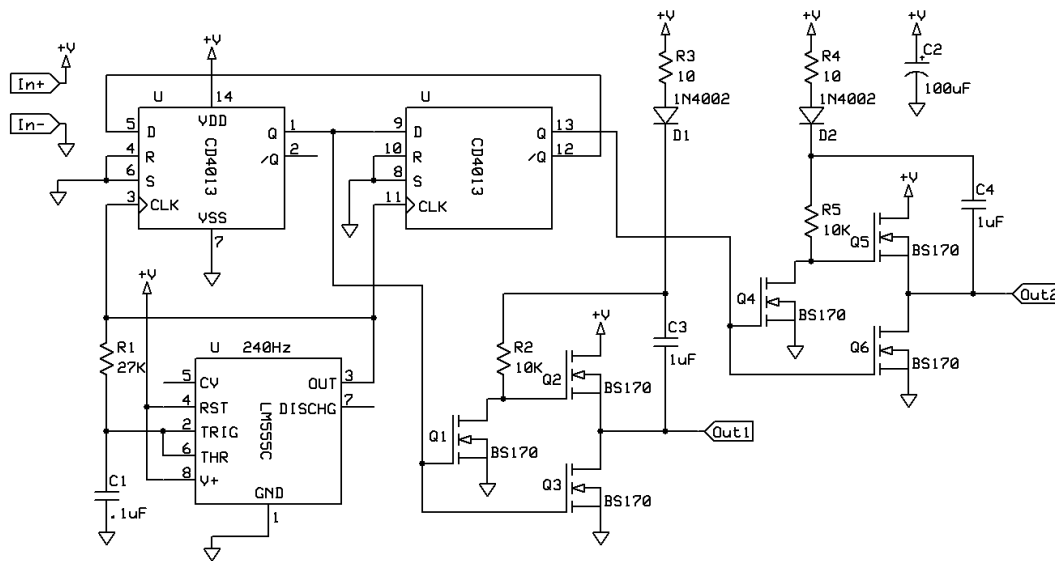


Category: Power supplies

300mA DC to AC converter

This circuit was used to provide battery backup to a device that had an AC (output) wall transformer. Due to the quasi-sine-wave output and imprecise 60Hz output frequency, some devices might not work properly. Peak output is the DC input voltage minus about 20 ohms drop. Use bigger output MOSFETS for more current output.



300mA DC to AC converter

Andrew Morris marr3763@bellsouth.net