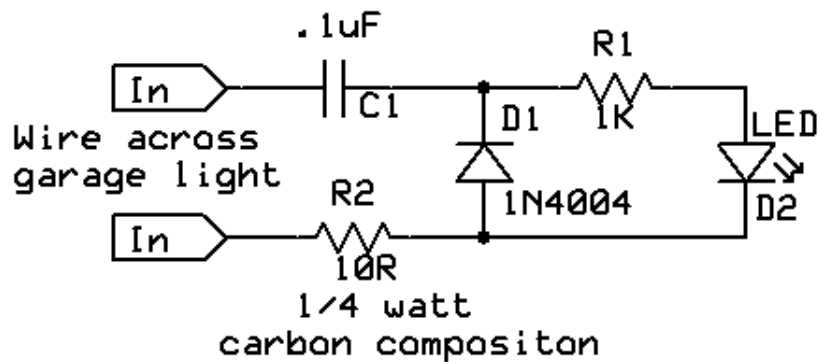


Garage Light Indicator LED

This is the simplest possible way to power an LED off 115VAC. I epoxied a high-brightness yellow LED into the switch plate to my garage light. The light switch is inside my house, but the garage light cannot be seen when the door is closed. This has caused me to leave the garage light on overnight many times until I created this solution. I have outdoor lights that could use this solution as well (when I get around to it).

This circuit was soldered together, wrapped with electrical tape and tucked inside the electrical box containing the garage light switch. A small hole was drilled in the switch plate for the LED to stick out of.



Garage Light Indicator

Andrew Morris morr3763@bellsouth.net