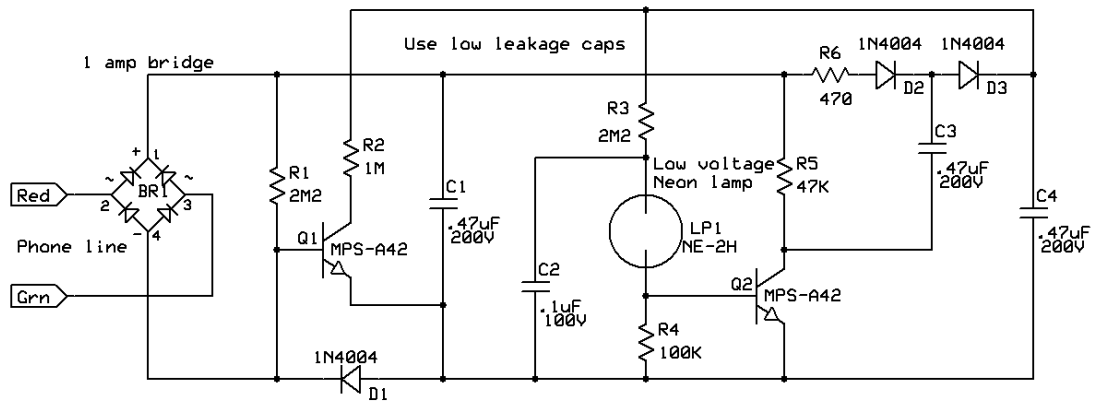


Category: Telephone circuits

## Message Waiting Flasher

This circuit starts flashing a neon light when the phone rings and continues flashing it until the phone is picked up to remind you to check your voice-mail. The flashing neon light drives a voltage doubler (Q2) which keeps it flashing. Q1 ensures that the flashing is stopped when the phone is picked up.



## Message Waiting Flasher

Andrew Morris [morr3763@bellsouth.net](mailto:morr3763@bellsouth.net)