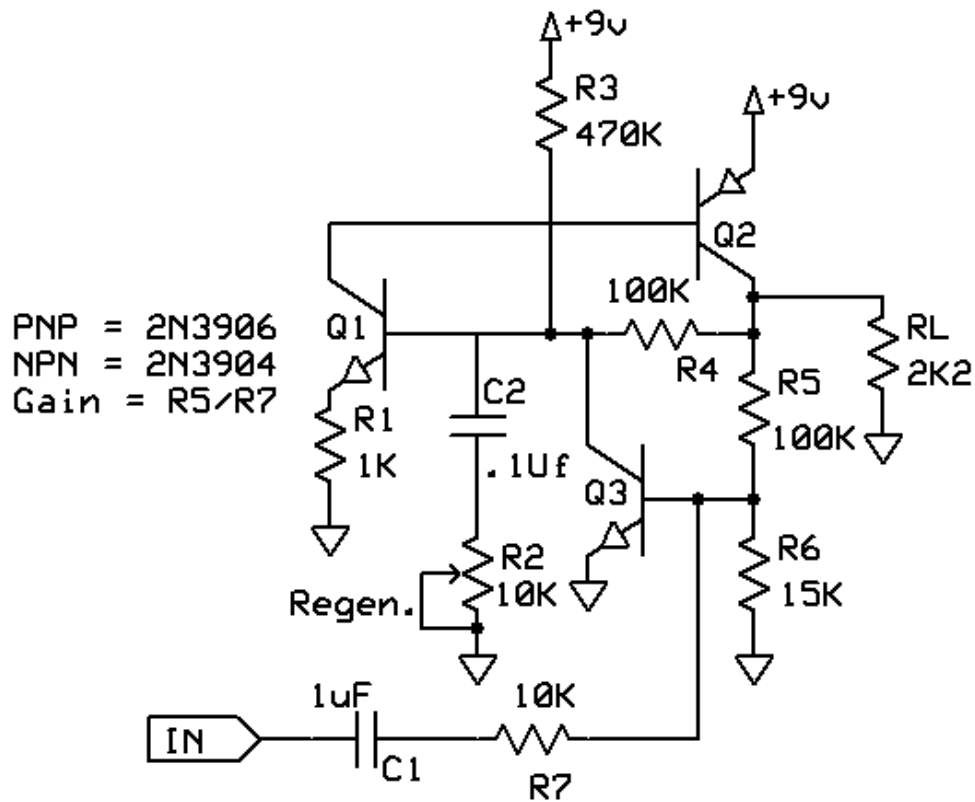


Regenerative audio amp

This circuit provides extremely high open-loop gain. Stable controlled gain of 100+ is easily possible.



Adj R2 for max res without oscillation
Andrew Morris morr3763@bellsouth.net