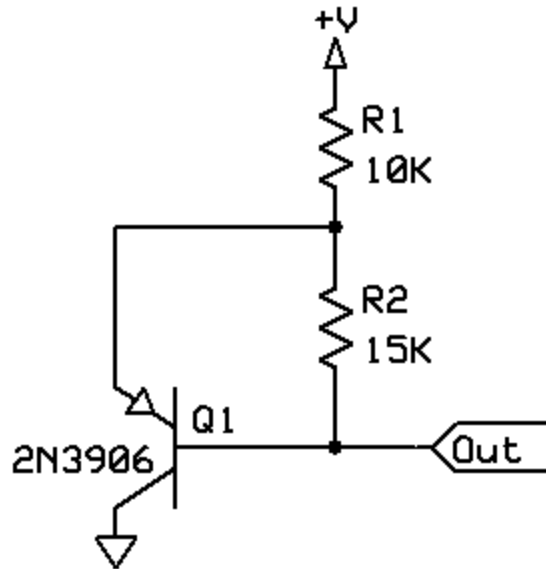


Category: Power supplies

Shunt Constant Current Source

This extremely simple circuit works well and may be the just the thing in certain situations. Output current is approximately 600mV divided by R2.



Shunt Current Source

Andrew Morris morr3763@bellsouth.net