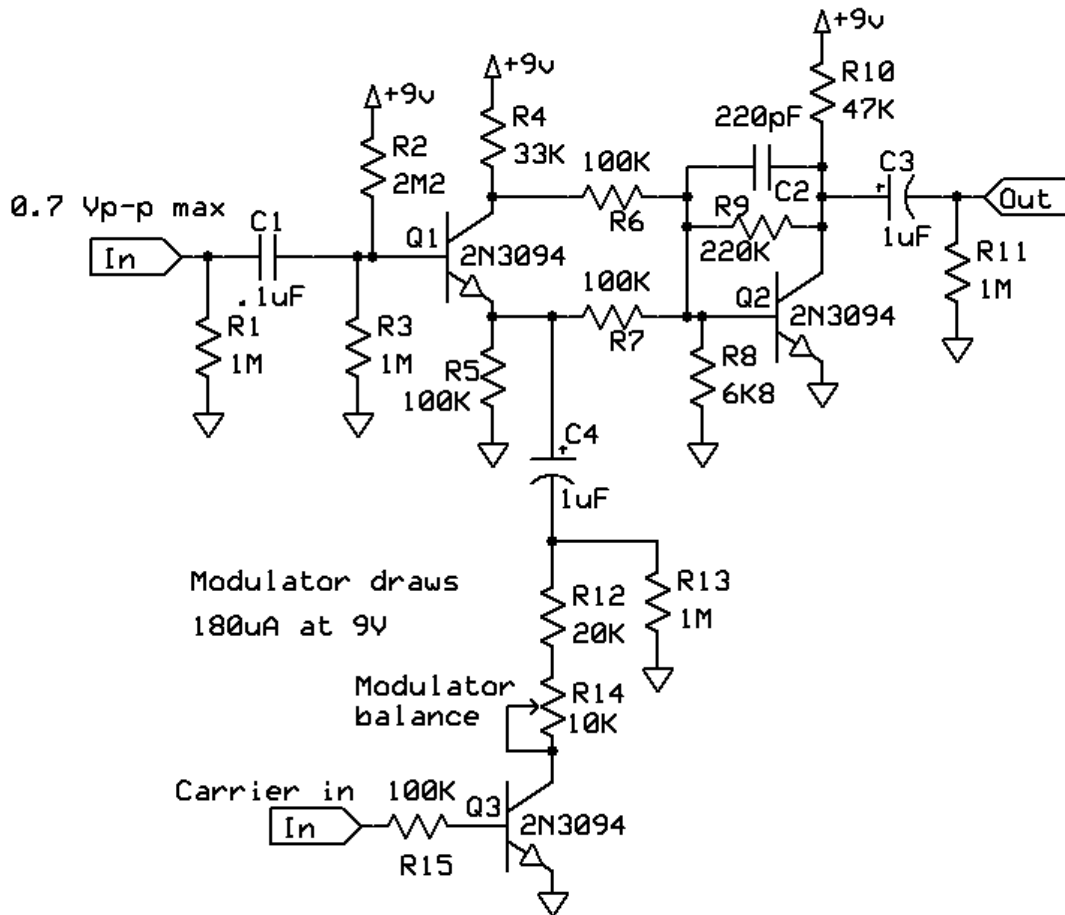


Category: Radio circuits

Synchronous modulator

This unique circuit uses a very small amount of battery current and has excellent carrier suppression. Its only shortcoming is that you must limit the input signal to 0.7 Vp-p in order to prevent distortion. To use higher input voltages, replace Q3 with a JFET. A MOSFET doesn't do as well as an NPN transistor.



Synchronous modulator

Andrew Morris marr3763@bellsouth.net