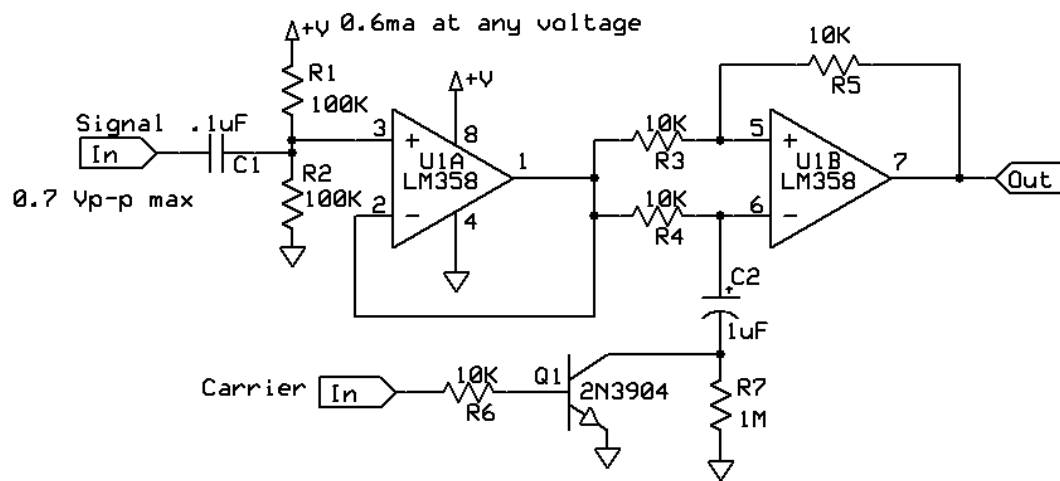


Category: Radio circuits

Synchronous Modulator

This is an opamp version of the synchronous modulator I submitted earlier. It has more consistent performance over varying power supply voltage than the discrete version, but it still has the 0.7 V_{p-p} limitation on the maximum input voltage. You should use a JFET or a CMOS switch in place of Q1 if you need to accommodate a higher input voltage. Also, a low pass filter needs to be added after the output of this circuit, where the discrete version had one built in.



Synchronous Modulator

Andrew Morris marr3763@bellsouth.net