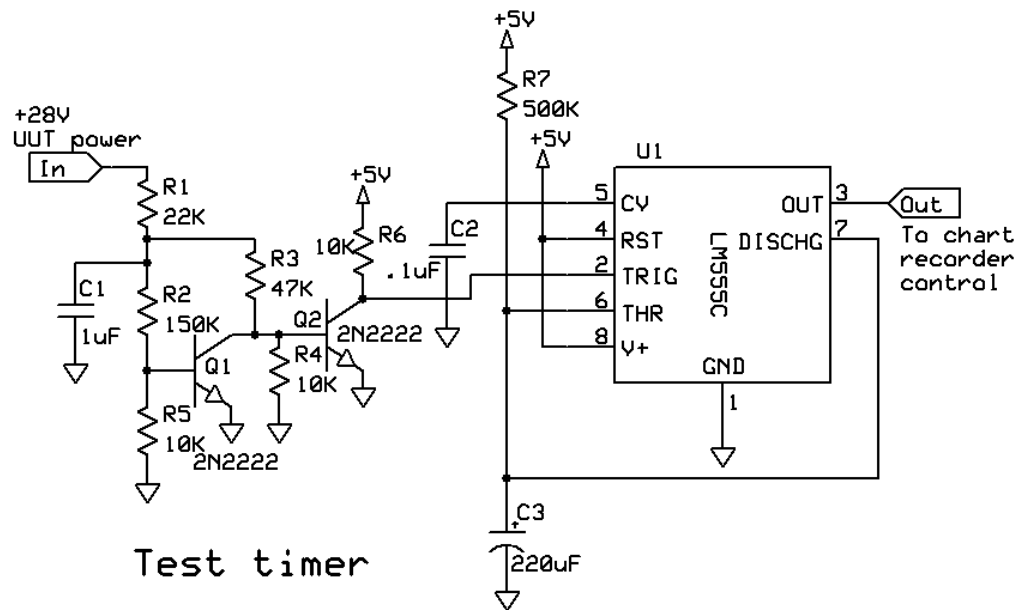


Category: Test equipment

Test timer

The output goes high for a fixed period of time when power to a unit under test (UUT) is turned on, and again when it is turned off. It was used with a magnetic sensor to test the spin-up and spin-down time of a gyroscope.



Test timer

Andrew Morris marr3763@bellsouth.net