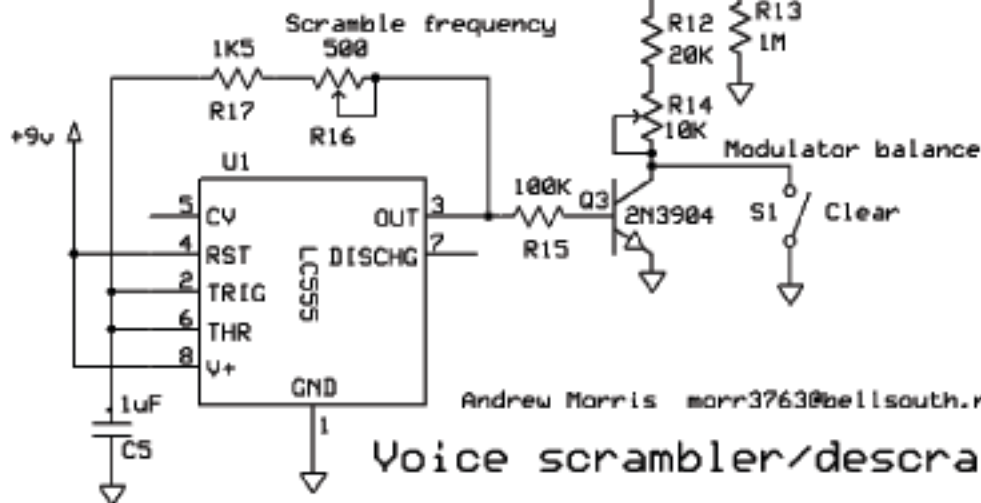


Draws 1.3mA at 9V  
 Modulator alone draws 180uA



Andrew Morris [morr3763@bellsouth.net](mailto:morr3763@bellsouth.net)

Voice scrambler/descrambler