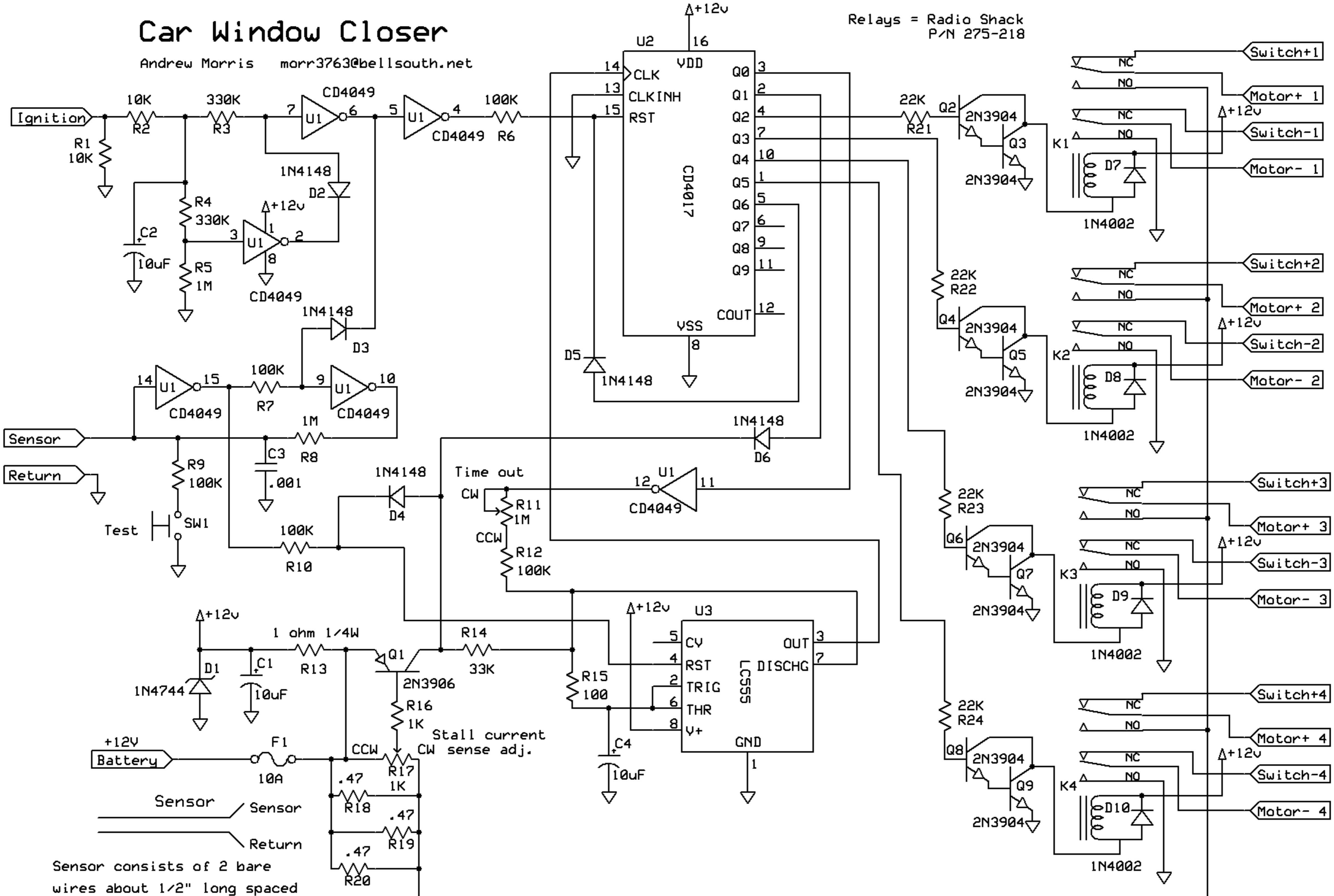


# Car Window Closer

Andrew Morris morr3763@bellsouth.net

Relays = Radio Shack  
P/N 275-218



Sensor consists of 2 bare wires about 1/2" long spaced about 0.1 inch apart, epoxied in the rain gutter.