

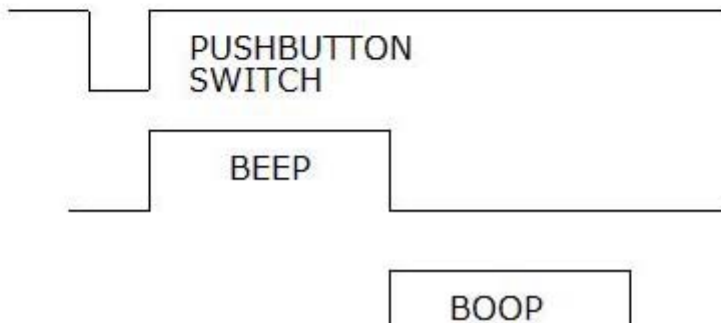


8 OHM SPEAKER  
250mW

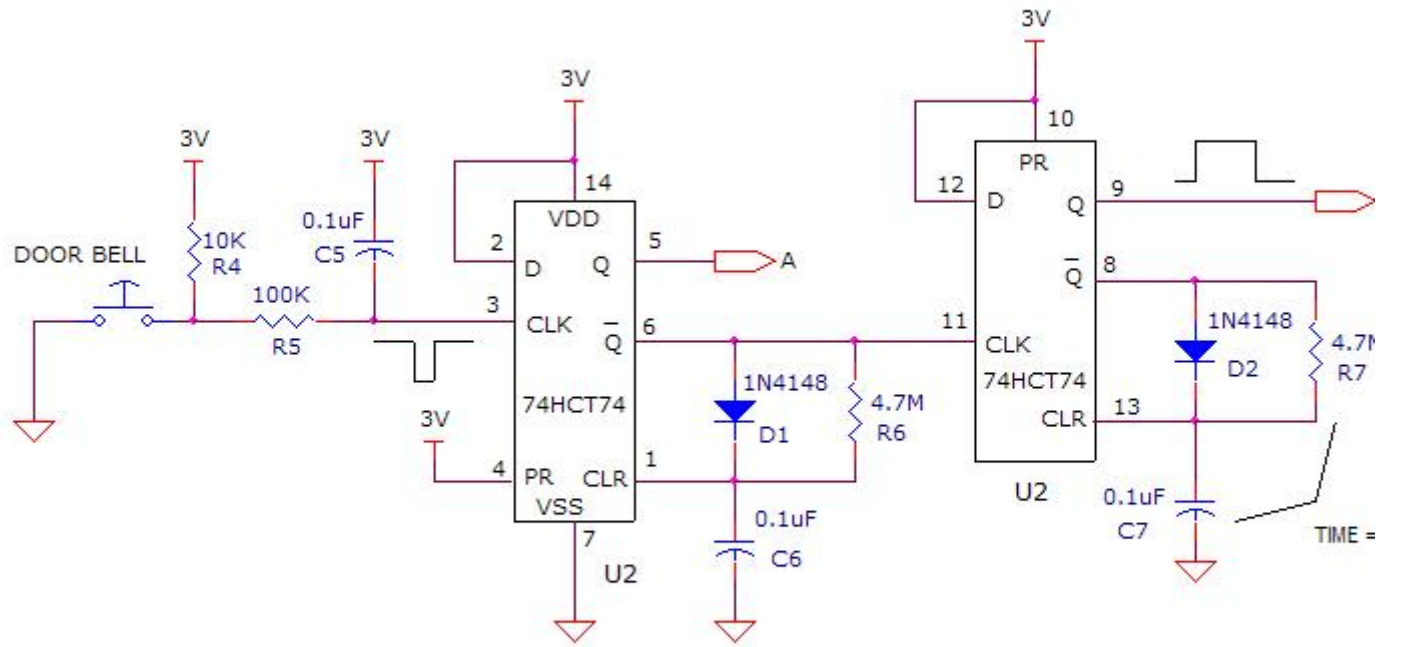
2KHZ = BEEP, 1.8KHz = BOOP = 10%

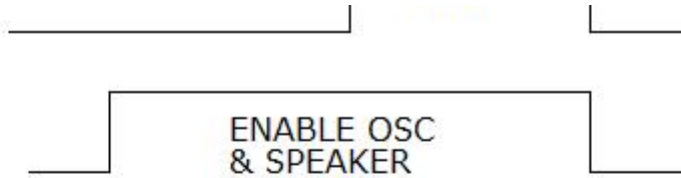
A01F

A01F



BATTERY





B

1

DESIGNED BY DAVE JOHNSON  
DISCOVERCIRCUITS.COM  
ALL RIGHTS RESERVED

APPROX. RC

DRAWN BY: DAVE JOHNSON

Title		
STAR TREK DOORBELL		
Size	Document Number	Rev
B	StarTrekBell1.DSN	A
Date:	Monday, October 12, 2009	Sheet 1 of 1