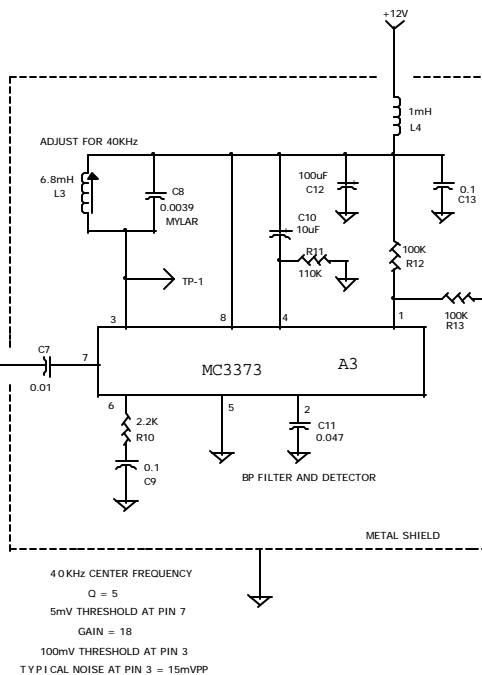
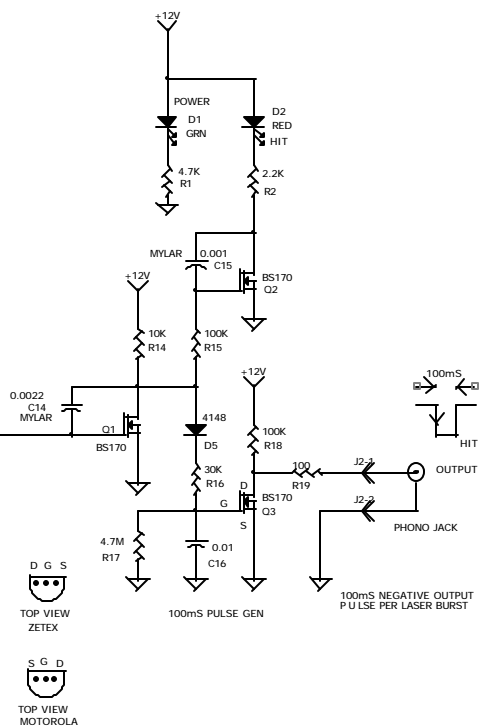


LIGHT CONVERSION = 4V/μW
 TYPICAL NOISE LEVEL = 1mVPP (200μW LIGHT)



40KHz CENTER FREQUENCY
 Q = 5
 5mV THRESHOLD AT PIN 7
 GAIN = 18
 100mV THRESHOLD AT PIN 3
 TYPICAL NOISE AT PIN 3 = 15mVPP



40KHz MODULATED LASER LIGHT DETECTOR CIRCUIT

100mS OUTPUT PULSE WITH 5mS LASER BURSTS

DRAWN BY: DAVE JOHNSON

DAVID JOHNSON AND ASSOCIATES
 FIREARM SHOOTING RANGE SYSTEM
 40KHz MODULATED LASER LIGHT DETECTOR

C	40KRVR3.DSN	A
Tuesday, June 13, 2000		