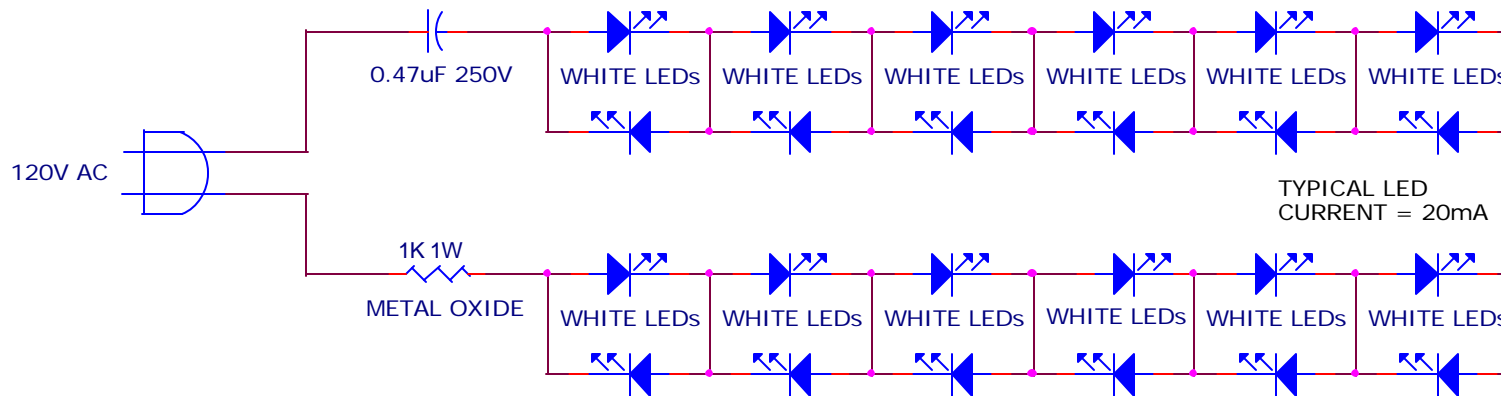
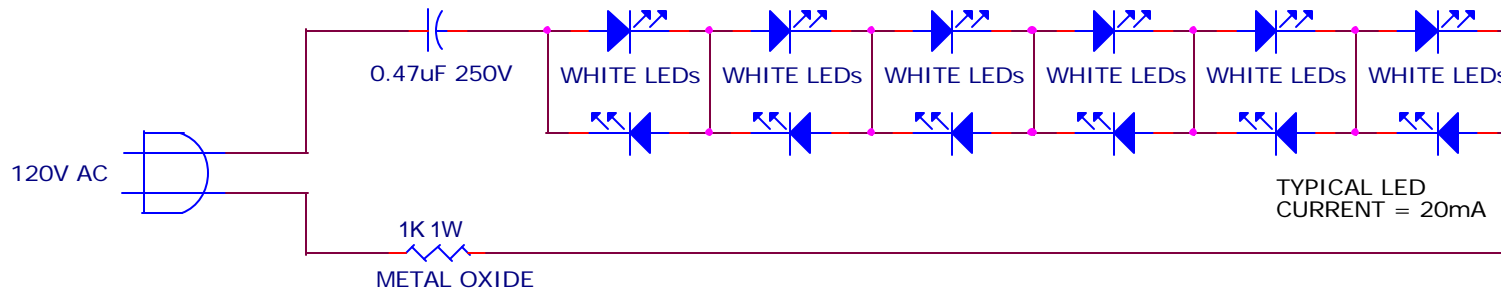


NOTE! USE 0.22uF @400V FOR 240VAC
POWER LINES



DESIGNED BY: KEN SCHULTZ DRAWN BY: DAVE JOHNSON

120VAC LINE POWERED WHITE LEDs

DAVID JOHNSON AND ASSOCIATES		
Title 120VAC LINE POWERED WHITE LED LIGHT SOURCE		
Size A	Document Number ACWHITELEDS.DSN	Rev A
Date:	Saturday, December 18, 2004	Sheet 1 of 1