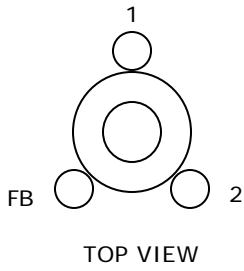
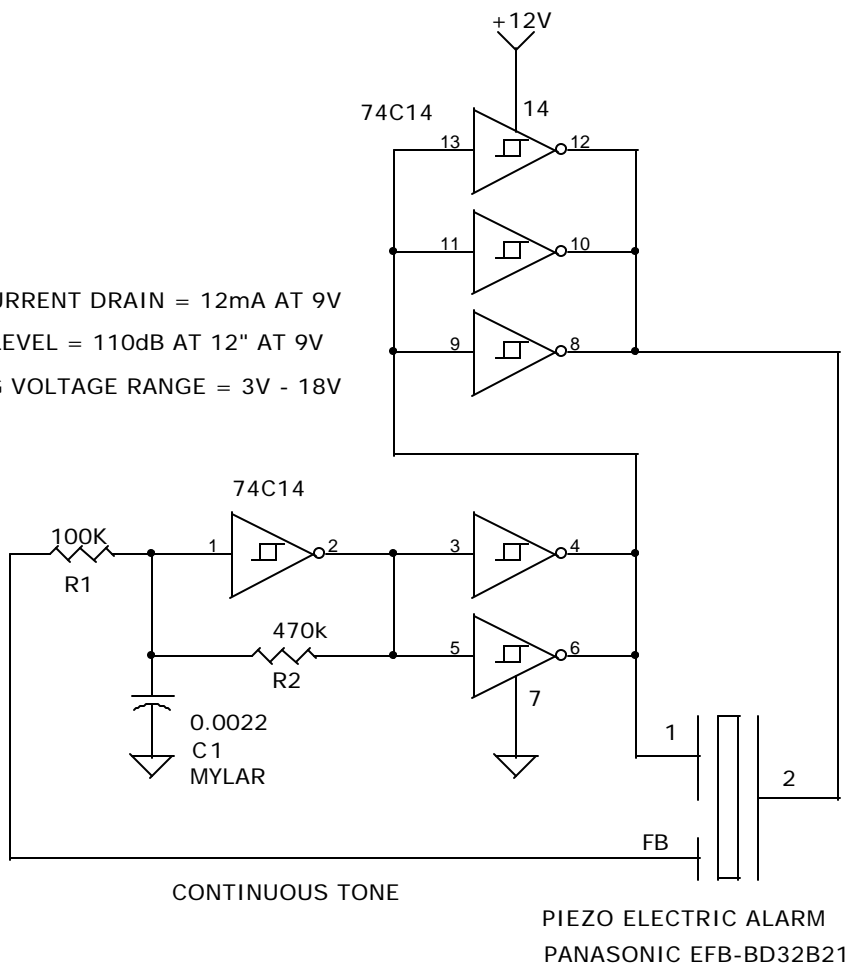


BEEPING CURRENT DRAIN = 12mA AT 9V
 SOUND LEVEL = 110dB AT 12" AT 9V
 OPERATING VOLTAGE RANGE = 3V - 18V



VERY LOUD BEEPER CIRCUIT

DRAWN BY: DAVE JOHNSON

DAVID JOHNSON AND ASSOCIATES		
HIGH OUTPUT PIEZO BEEPER		
Size A	Document Number BEEPER3.DSN	Rev A
Date:	Saturday, June 03, 2000	Sheet 0 of 0