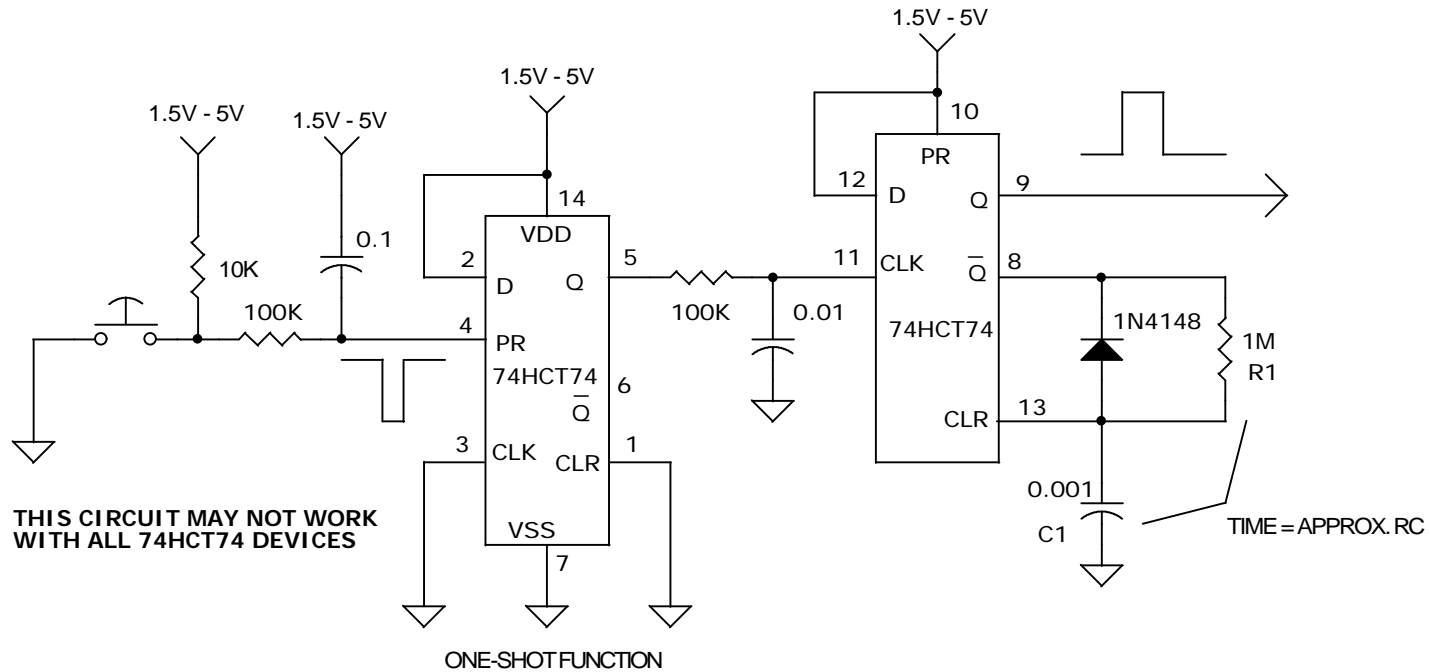


ONE PULSE GENERATED WITH EACH PUSH OF THE BUTTON OR ANY POSITIVE PULSE



THIS CIRCUIT MAY NOT WORK WITH ALL 74HCT74 DEVICES

ONE-SHOT FUNCTION

ONE PULSE GENERATED WITH EACH PUSH OF THE BUTTON OR ANY NEGATIVE PULSE

DRAWN BY: DAVE JOHNSON

D-FLIP/FLOP ONE SHOT CIRCUITS

DAVID JOHNSON AND ASSOCIATES		
D-FLIP/FLOP ONE SHOT CIRCUITS		
Size A	Document Number DFLIP1SHOTS.DSN	Rev A
Date:	Tuesday, March 26, 2002	Sheet 0 of 0