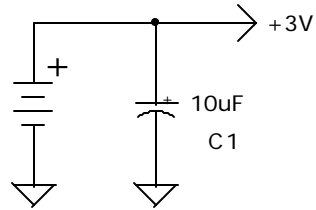
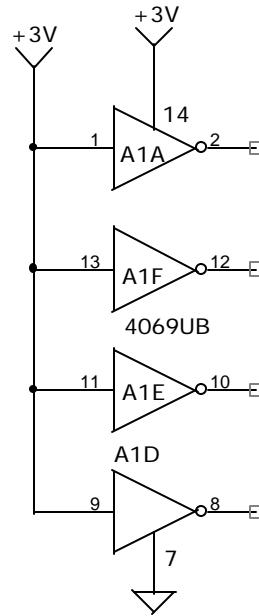


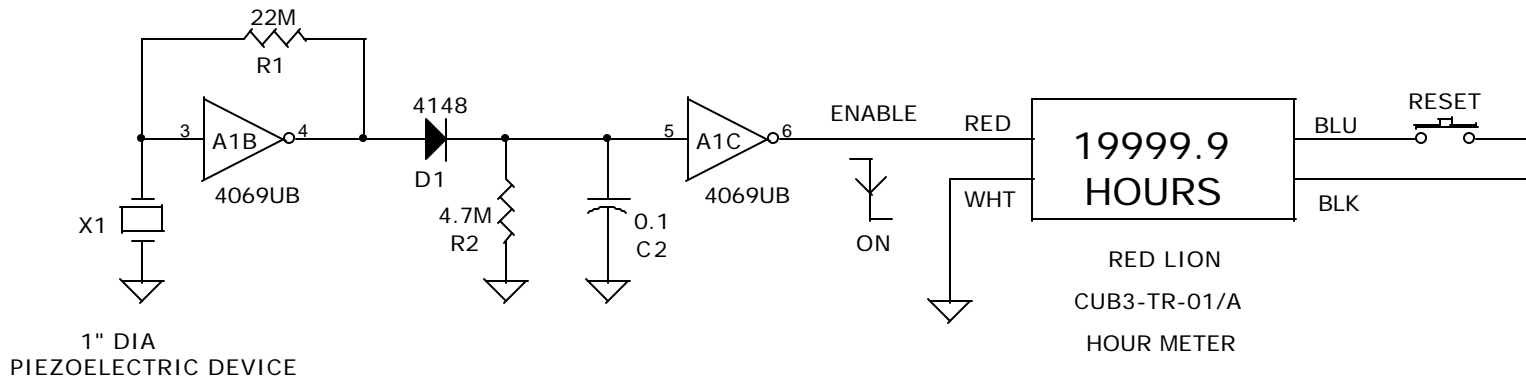
BATTERY
TWO 1.5V CELLS
#76 SILVER OXIDE



AVERAGE CURRENT = 2uA



R1 VALUE CAN BE REDUCED TO
DECREASE VIBRATION SENSITIVITY



DRAWN BY: DAVE JOHNSON

MACHINE VIBRATION ACTIVATED HOUR METER

DAVID JOHNSON AND ASSOCIATES		
VIBRATION ACTIVATED HOUR METER		
Size A	Document Number HOURMTR.DSN	Rev A
Date:	Saturday, December 26, 1998	Sheet 1 of 1