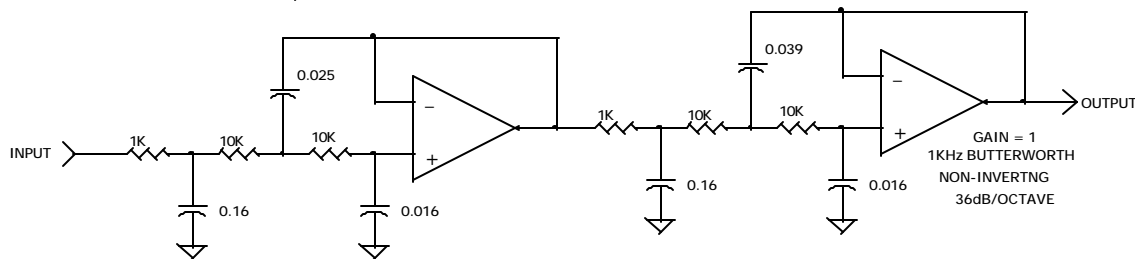
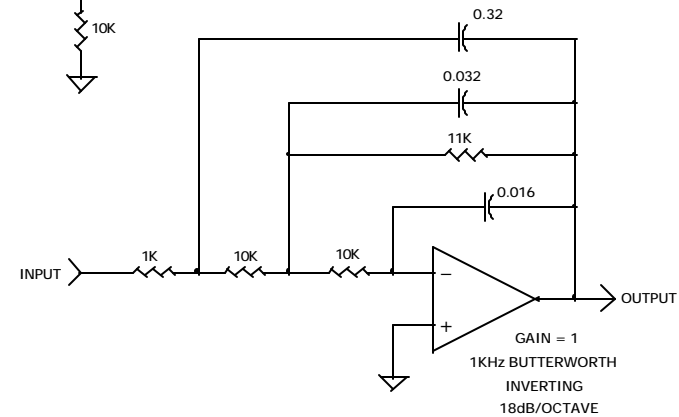
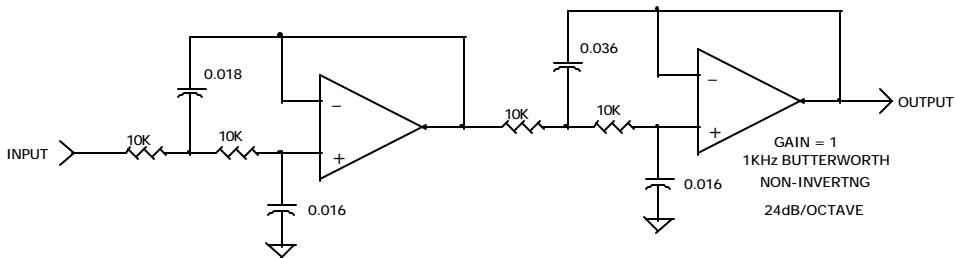


COMPONENT VALUES FROM DON LANCASTER'S ACTIVE FILTER COOKBOOK



DRAWN BY: DAVE JOHNSON

LOW PASS ACTIVE FILTERS

DAVID JOHNSON AND ASSOCIATES		
LOW PASS FILTERS		
Size B	Document Number LOWPASS.DSN	Rev A
Date: Monday, February 11, 2002	Sheet 1	of 1