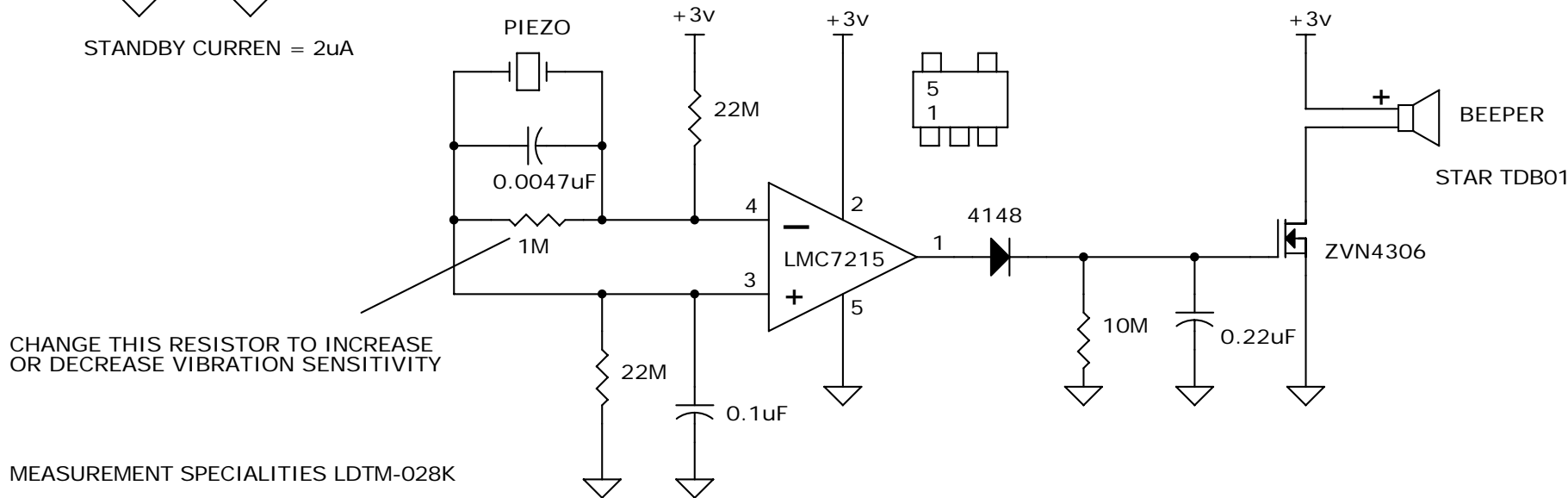
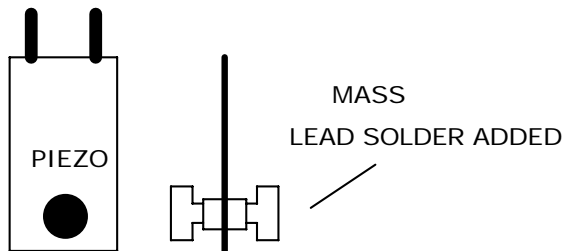


THIS CIRCUIT COULD ALSO OPERATE FROM A 9V BATTERY



CHANGE THIS RESISTOR TO INCREASE OR DECREASE VIBRATION SENSITIVITY

MEASUREMENT SPECIALITIES LD TM-028K



DESIGNED BY DAVE JOHNSON
 DISCOVERCIRCUITS.COM
 ALL RIGHTS RESERVED

DRAWN BY: DAVE JOHNSON

DAVID JOHNSON AND ASSOCIATES		
Title MOTION ALARM		
Size A	Document Number MOTIONALAR2.DSN	Rev A
Date: Sunday, July 09, 2006	Sheet 1	of 1