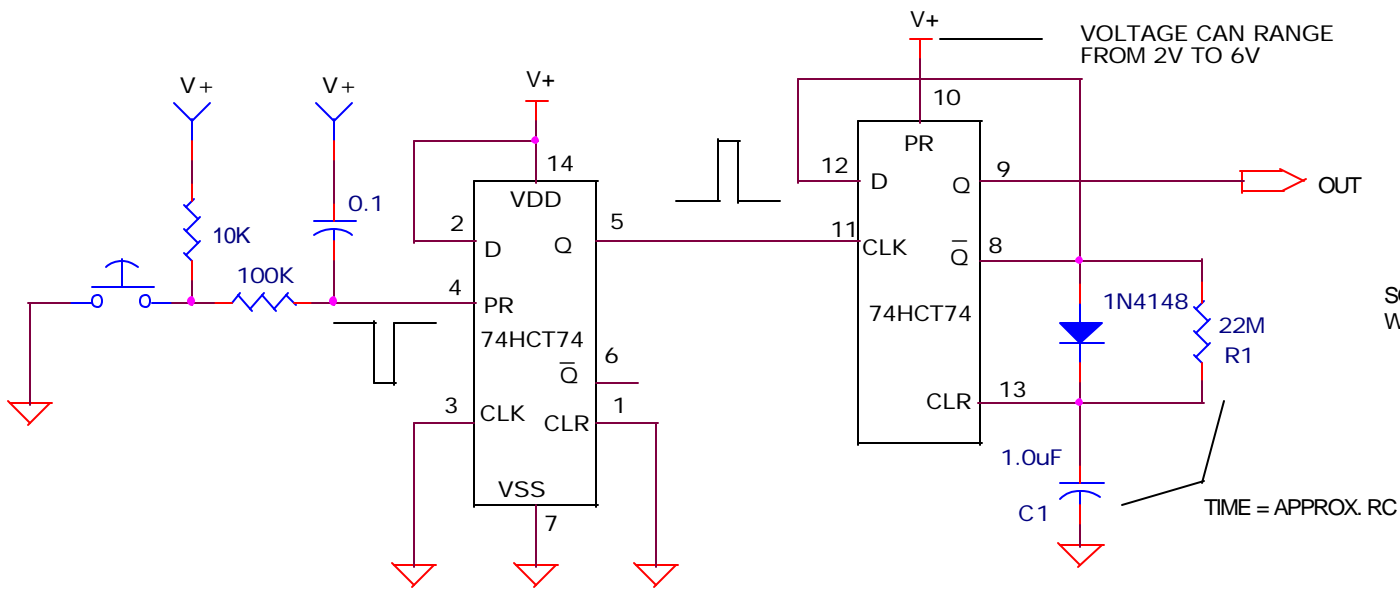


OUTPUT TOGGLES ON/OFF WITH EACH PUSHBUTTON ACTIVATION
 IF OUTPUT IS LEFT HIGH, THE OUTPUT WILL BE FORCED LOW AFTER TIME EQUAL TO RC



SOME 74HCT74 PARTS WILL
 WORK DOWN TO 1.5V

OUTPUT TOGGLES ON/OFF WITH EACH PUSHBUTTON ACTIVATION
 IF OUTPUT IS LEFT HIGH, THE OUTPUT WILL BE FORCED LOW AFTER TIME EQUAL TO RC

DRAWN BY: DAVE JOHNSON

ON/OFF FLIP/FLOP WITH AUTOMATIC TIMEOUT

DAVID JOHNSON AND ASSOCIATES		
ON/OFF FLIP/FLOP CIRCUIT WITH AUTOMATIC TIMEOUT		
Size A	Document Number ONOFFWTIMEOUT.DSN	Rev A
Date:	Thursday, December 16, 2004	Sheet 0 of 0