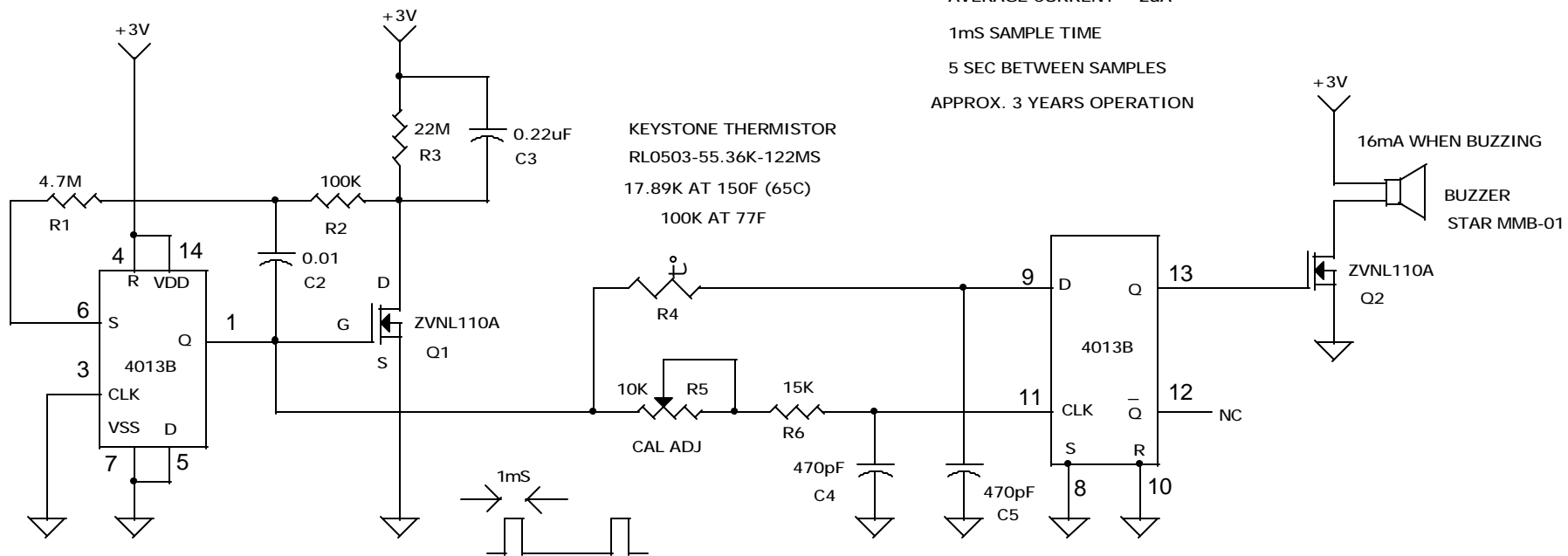
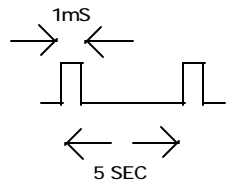


AVERAGE CURRENT = 2uA
 1mS SAMPLE TIME
 5 SEC BETWEEN SAMPLES
 APPROX. 3 YEARS OPERATION



KEystone THERMISTOR
 RL0503-55.36K-122MS
 17.89K AT 150F (65C)
 100K AT 77F



DATA PULSE LAGS CLOCK EDGE WHEN R4 COLD
 DATA PULSE LEADS CLOCK EDGE WHEN R4 HOT, OUTPUT CHANGES STATE

ALARM TEMP = 150F (65C)
 APPROX. 12 SAMPLES PER MINUTE

DRAWN BY: DAVE JOHNSON

DAVID JOHNSON AND ASSOCIATES OVER-TEMPERATURE ALARM CIRCUIT 150 DEGREES F SET POINT		
Size A	Document Number OVERTEMP.DSN	Rev A
Date: Sunday, June 04, 2000	Sheet	of

LOW POWER OVER-TEMPERATURE ALARM