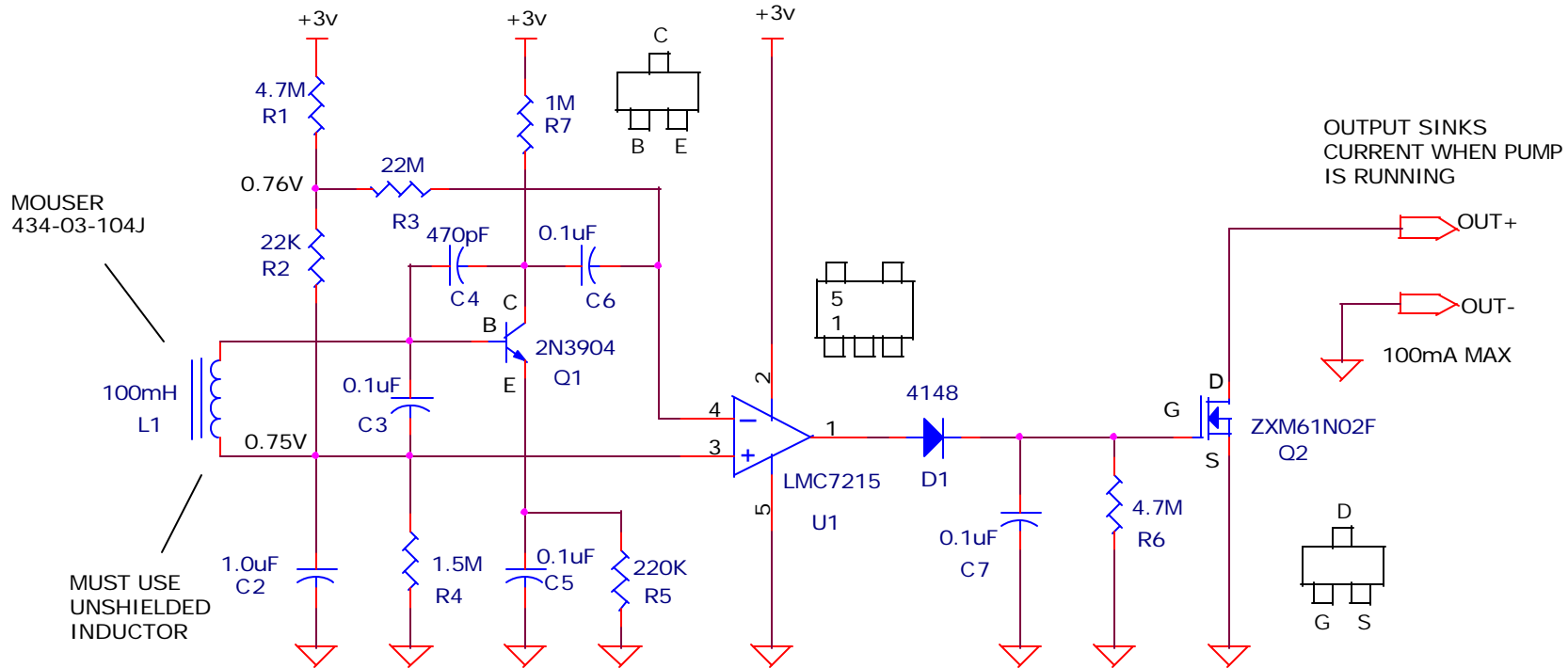
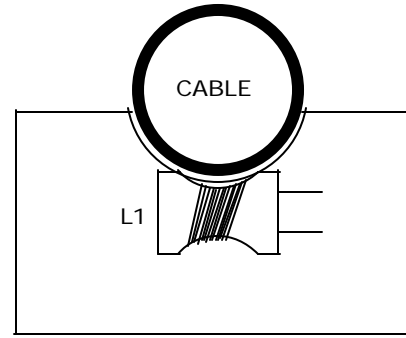


APPROX. 3uA CURRENT DRAW
 APPROX 5 YEARS OPERATION



APPROX 0.10 AMPS PUMP MOTOR
 CURRENT NEEDED

X100

10mV PEAK SENSITIVITY

DRAWN BY: DAVE JOHNSON

DAVID JOHNSON AND ASSOCIATES		
Title PUMP MOTOR MONITOR		
Size A	Document Number PUMPMOTORMON2.DSN	Rev A
Date: Thursday, November 18, 2004	Sheet 1	of 1