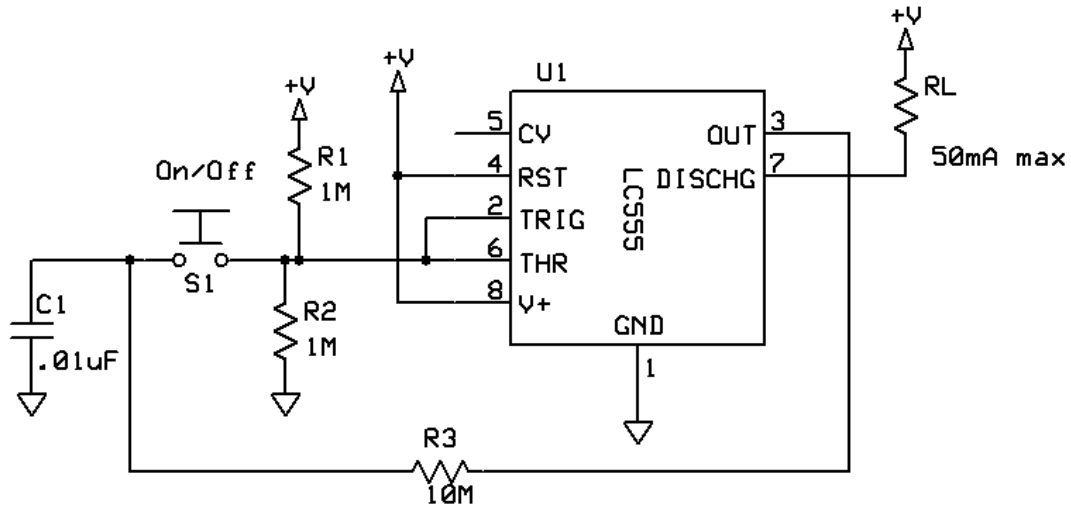


Category: Timer circuits

## Bistable Switch

This circuit shows how to implement a simple bistable (On/Off) switch. You can also do this with a Schmitt trigger gate or inverter. Just set R1 and R2 to bias the input to the center point of the Schmitt trigger's hysteresis.



## Bistable Switch

Andrew Morris [morr3763@bellsouth.net](mailto:morr3763@bellsouth.net)