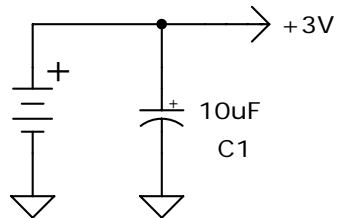
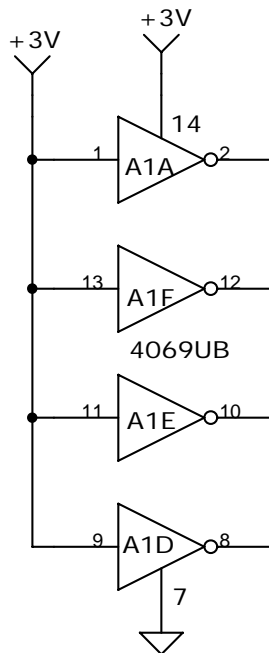


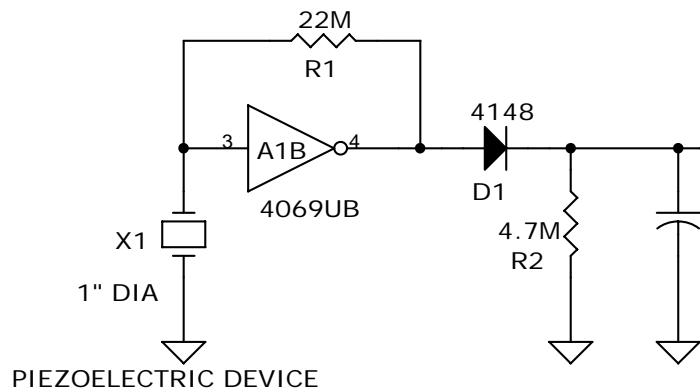
BATTERY  
TWO 1.5V AA CELLS



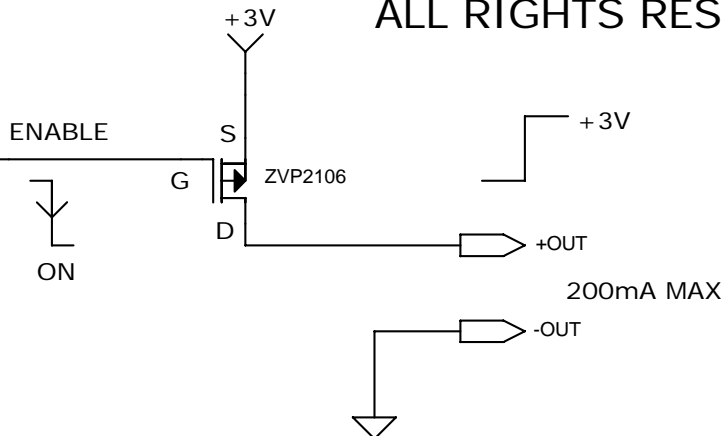
AVERAGE CURRENT = 2uA



R1 VALUE CAN BE REDUCED TO  
DECREASE VIBRATION SENSITIVITY



DESIGNED BY DAVE JOHNSON  
DISCOVERCIRCUITS.COM  
ALL RIGHTS RESERVED



# VIBRATION ACTIVATED SWITCH

DRAWN BY: DAVE JOHNSON

|                              |                                       |              |
|------------------------------|---------------------------------------|--------------|
| DAVID JOHNSON AND ASSOCIATES |                                       |              |
| VIBRATION ACTIVATED SWITCH   |                                       |              |
| Size<br>A                    | Document Number<br>VIBRATIONALARM.DSN | Rev<br>A     |
| Date:                        | Sunday, July 09, 2006                 | Sheet 1 of 1 |