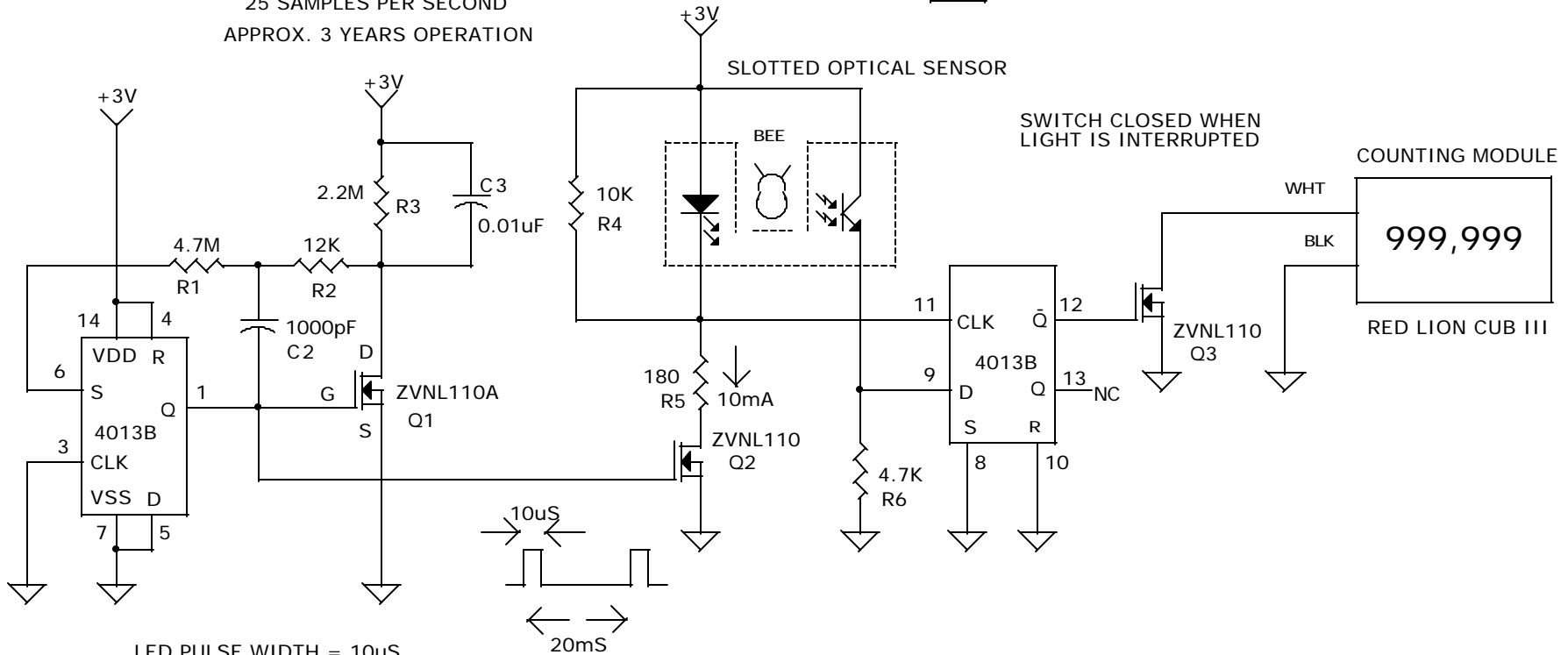
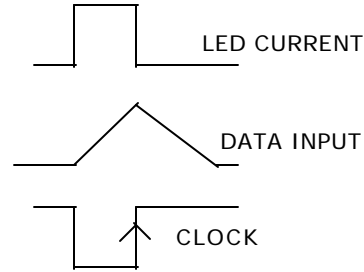


AVERAGE CURRENT = 10uA
 10uS SAMPLE TIME
 25 SAMPLES PER SECOND
 APPROX. 3 YEARS OPERATION



LED PULSE WIDTH = 10uS
 LED PEAK CURRENT = 10mA
 LED PULSE RATE = 25 PPS
 AVERAGE LED CURRENT A 50Hz = 5uA

DRAWN BY: DAVE JOHNSON

HONEYBEE HIVE TRAFFIC COUNTER

DAVID JOHNSON AND ASSOCIATES HONEYBEE HIVE TRAFFIC COUNTER		
Size A	Document Number BEECTR.DSN	Rev A
Date: Saturday, July 08, 2000	Sheet 1	of 1