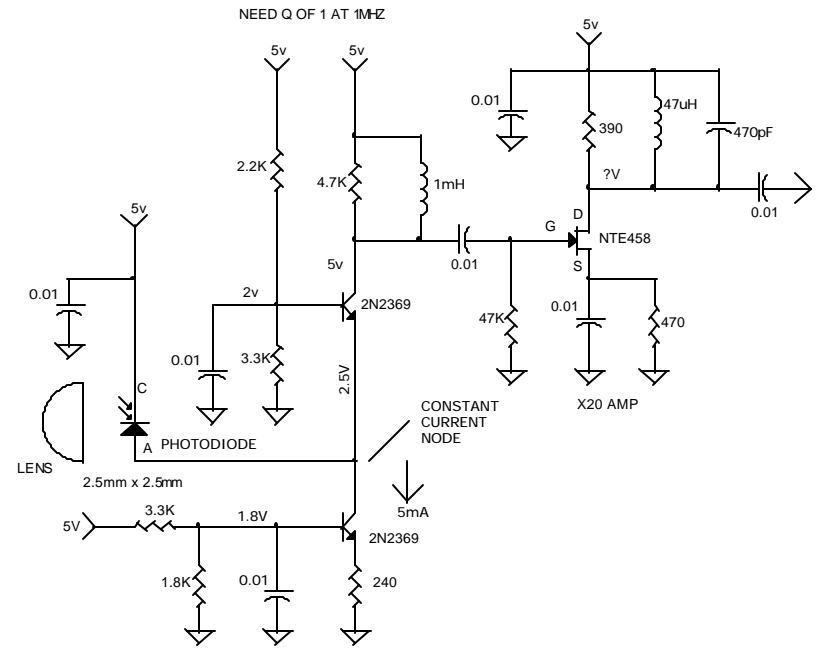
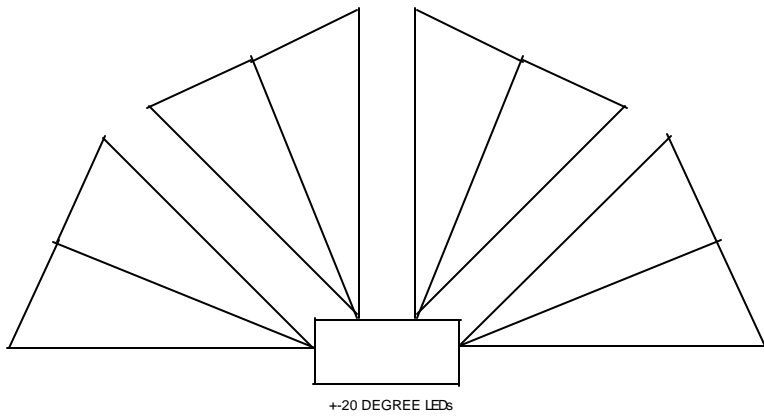


LED PATTEN



TEST CIRCUIT
 LIGHT POWER TO VOLTS CONVERSION = APPROX. 100mV PER MICROWATT AT 850NM
 NOT FULLY TESTED

OPTICAL RFID DEMO CIRCUIT

DRAWN BY: DAVE JOHNSON

DAVID JOHNSON AND ASSOCIATES		
Title	OPTICAL RFID DEMO CIRCUIT	
Size	Document Number	Rev
B	OPIIDEMO.DSN	A
Date:	Saturday, July 08, 2000	Sheet 1 of 1