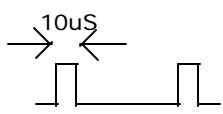
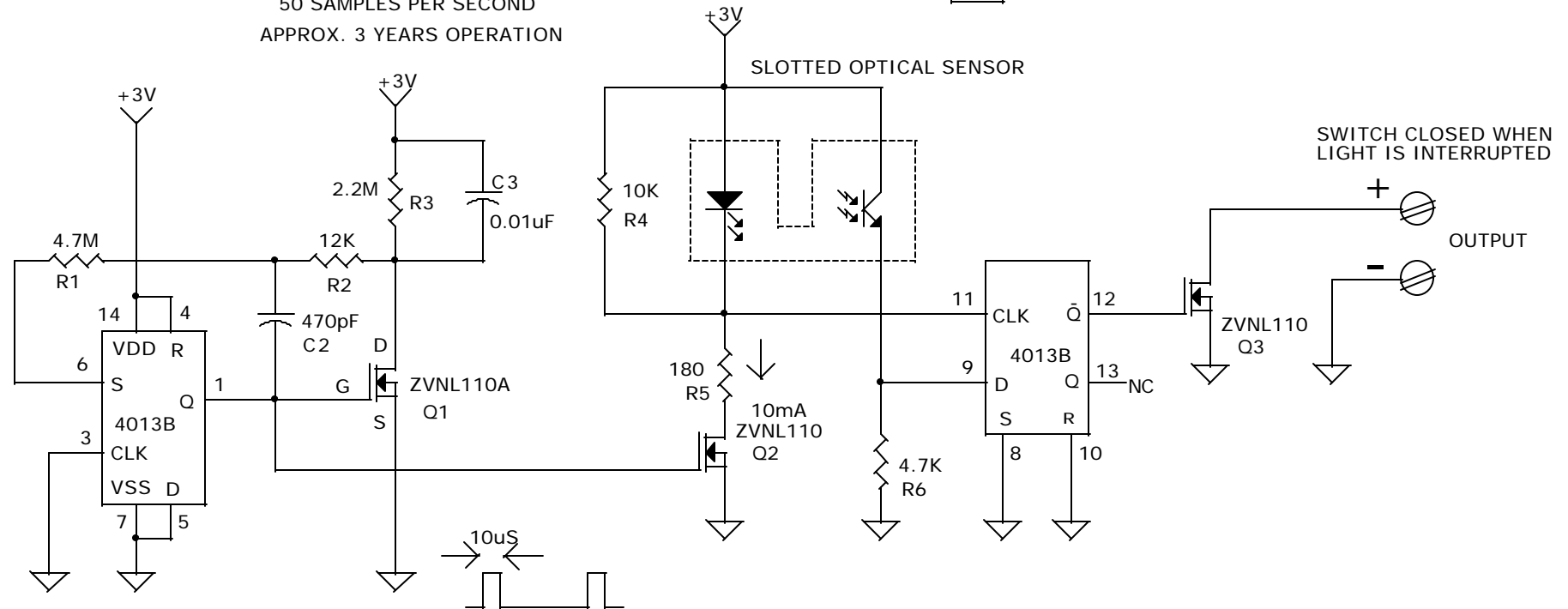


AVERAGE CURRENT = 10uA
 10uS SAMPLE TIME
 50 SAMPLES PER SECOND
 APPROX. 3 YEARS OPERATION



LED PULSE WIDTH = 10uS
 LED PEAK CURRENT = 10mA
 LED PULSE RATE = 50 PPS
 AVERAGE LED CURRENT A 50Hz = 5uA

DRAWN BY: DAVE JOHNSON

BATTERY POWERED OPTICAL INTERRUPTER

DAVID JOHNSON AND ASSOCIATES		
BATTERY POWERED OPTICAL INTERRUPTER CIRCUIT		
Size A	Document Number OPTOINT2.DSN	Rev A
Date:	Sunday, June 04, 2000	Sheet 1 of 1